

Twin thermostat NCNO 301231



Product Features

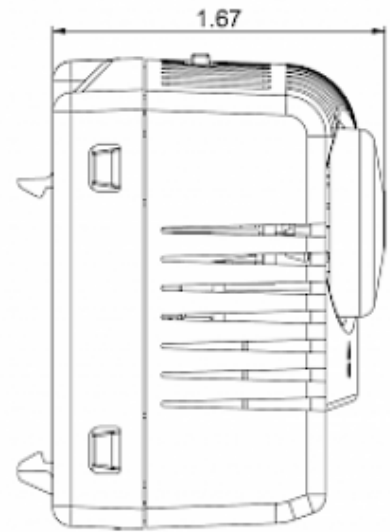
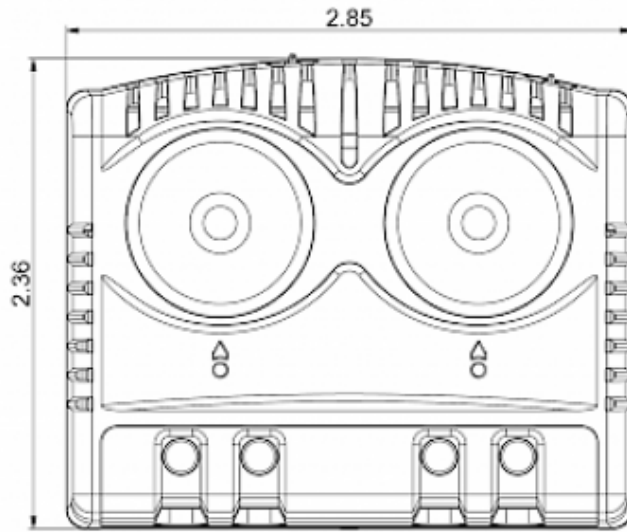
Brand Name:	SoliTherm
Order Number:	301231
Color:	Grey (RAL 7011)
Housing Material:	PC plastic
Ingress protection:	IP 20
Note:	Hyst. 7±3K / Sw.Pt.tol ±4K
Approvals:	CE, cURus, RoHS
UL File Nummer:	E358385
Taric Code:	90321089

Technical data 301231

Temperature range:	-49°F - 248°F
Setting range:	14°F - 176°F
Mounting:	Clips for DIN rail 1.38 inch
Dimension H x W x D:	2.36 x 2.85 x 1.67 inch
Weight:	~3.89 oz.
Voltage / Frequency:	max. 250 V AC 16 A(res) / 2 A(ind) max. 72 V DC max. 30 W
Lifetime:	100,000 hrs.
Connection:	2-pole terminal (x2), clamping torque 0.5 Nm max. solid wire - AWG 14 max., stranded wire - AWG 16 max.

Please click on the graphics to download.
More CAD drawings can be found under [Product Download](#).
> [Overview product group Thermal controls / Accessories](#)

**Cut out
dimensions:**



[click image to enlarge](#)