

Table of Content 750621B001

1. User manual	2
2. Legal regulations	2
3. Safety instructions	3
4. Application	4
5. Functional principle	5
6. Technical data	6
7. Performance graph	7
8. Mounting	8
9. Condensate management	9
10. Mounting Principle	12
11. Cut out dimensions	13
12. Dimensions (H x W x D)	14
13. Controller	15
14. Wiring diagram	16
15. Taking into operation	17
16. Maintenance & Cleaning	18
17. Maintenance	18
18. Transport & Storage	19



1. User manual

This instruction manual contains information and instructions to enable the user to work safely, correctly and economically on the unit. Understanding and adhering to the manual can help one:

- Avoid any dangers.
- Reduce repair costs and stoppages.
- Extend and improve the reliability and working life of the unit.

PLEASE ENSURE TO USE THE RIGHT VERSION OF THE INSTRUCTION MANUAL SUITABLE FOR YOUR UNIT.

Intended use

The unit is to be used exclusively for the dissipation of heat from control cabinets and enclosures in order to protect temperature sensitive components in an industrial environment. To meet the conditions of use, all the information and instructions in the instruction manual must be adhered to.



General danger

Indicates compulsory safety regulations which are not covered by a specific pictogram such as one of the following.



High electric voltage

Indicates electric shock danger.



Important safety instruction

Indicates instructions for safe maintenance and operation of the unit.



Attention

Indicates possible burns from hot components.



Attention

Indicates possible damage to the unit.



Instruction

Indicates possible danger to the environment.

2. Legal regulations

Liability

The information, data and instructions contained in this instruction manual are current at the time of going to press. We reserve the right to make technical changes to the unit in the course of its development. Therefore, no claims can be accepted for previously delivered units based on the information, diagrams or descriptions contained in this manual. No liability can be accepted for damage and production caused by:

- Disregarding the instruction manual
- Operating error
- Inappropriate work on or with the unit
- The use of non-specified spare parts and accessories
- Unauthorised modifications or changes to the unit by the user or his personnel

The supplier is only liable for errors and omissions as outlined in the guarantee conditions contained in the main contractual agreement. Claims for damages on any grounds are excluded.

3. Safety instructions

Upon delivery the unit is already meeting current technical standards and can therefore be safely taken into operation. Only authorised personnel is allowed to work on the unit. Unauthorised personnel must be prohibited from working on the unit. Operating personnel must inform their superiors immediately of any malfunction of the unit.

Please note that before starting to work on or with the unit, a procedure must be carried out inside the cabinet on which the unit is to be mounted.

Before commencing work inside the cabinet, the control cabinet manufacturer's instruction must be read with regards to:

- Safety instructions.
- Instructions on taking the cabinet out of operation.
- Instructions on the prevention of unauthorised cabinet reconnection.

The electric equipment meets the valid safety regulations. One can find dangerous voltages (above 50 V AC or above 100 V DC)

- Behind the control cabinet doors.
- On the power supply in the unit housing.

The unit has to be operated according to the type plate and the wiring diagram, and must be protected externally from overloading and electrical faults via suitable protective devices.



Danger through incorrect work on the unit

The unit can only be installed and maintained by technical competent and qualified personnel, using only supplied material according to the supplied instructions.



Danger from electrical voltage

Only specialised personnel are allowed to maintain and clean the unit. The personnel must ensure that for the duration of the maintenance and cleaning, the unit is disconnected from the electrical supply.



Attention

Damage to the unit through the use of inappropriate cleaning materials. Please do not use aggressive cleaning material.



Instruction

Damage to the environment through unauthorised disposal. All spare parts and associated material must be disposed according to the environmental laws.

4. Application

Air - water heat exchangers are intended as complementary accessories to large industrial equipment which include a motor-operated fan or blower together with a cooling heat exchanger. These may also include an electric heater. The fan or blower is intended to recirculate air and allow heat exchange. The heat exchanger is designed for chilled water or anti-freeze/corrosion inhibitor mixed water from a separate source.

The cooling function may be controlled by an on-board or remote controller or thermostat, a thermostatically controlled valve or an electrically controlled valve. Heating function, when installed is provided by an electrical heating element. The unit seals the cabinet which ensures that the clean air inside does not come into contact with the ambient air which may well be dirty or polluted. The unit is fit for purpose within the rated/declared ambient conditions (e.g. dusty and oily air or high air temperatures between 34°F and 162°F), also indicating the rated allowable ingress and environment.

Water quality

To ensure the maximum lifetime of an air-water heat exchangers, it is important to supply cooling water in conformity with the VGB Cooling Water Guidelines (VGB-R 455 P). The cooling water used must be soft enough to avoid scale deposits, but should not be too soft as this would corrode the heat exchanger. Where the cooling water is cooled for reuse, part of the water has to be changed with fresh water to prevent the concentration of hardness and salt content which makes the water more corrosive.

The main impurities and possible methods of eliminating them are given in the table below:

Pollution of the water	Method of elimination
Mechanical impurities (dp > 2mm)	Filtration of the water
Excessive hardness	Softening of the water by ion exchange
Moderate content of mechanical impurities and hardness formers	Addition of dispersants or stabilisers
Moderate content of chemical impurities	Addition of passivators and inhibitors
Biological impurities (bacteria and algae)	Addition of biocides

When the water is re-cooled, it is recommended that the water condition is maintained as close as possible to the following list of hydrological data:

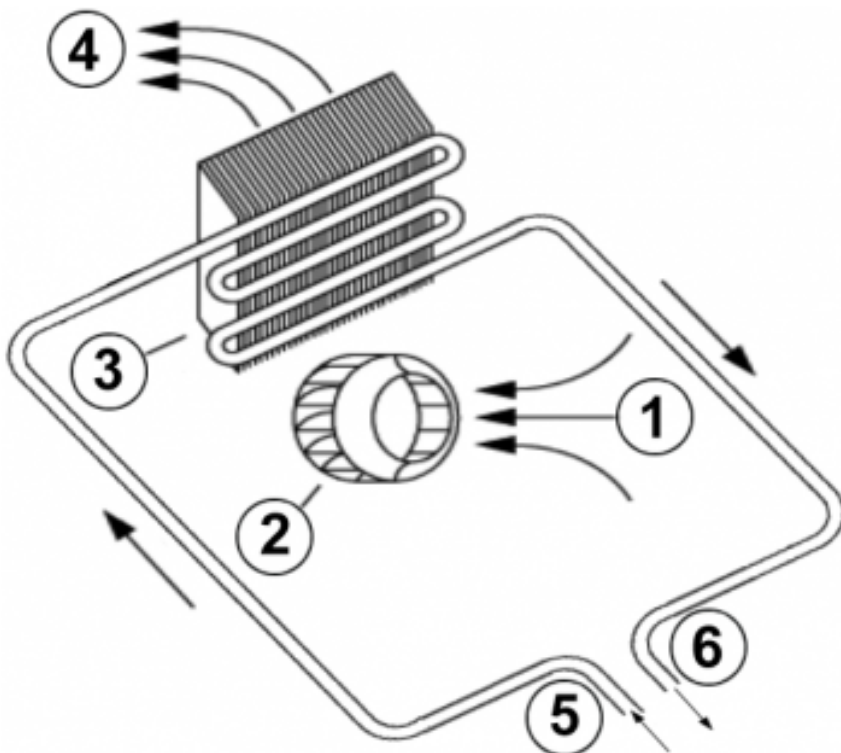
Hydrological data		
pH-values	7 - 8.5	
Carbonate hardness	>3 <8	°dH
Free carbon dioxide	8 - 15	mg/dm ³
Associated carbon dioxide	8 - 15	mg/dm ³
Aggressive carbon dioxide	0	mg/dm ³
Sulphides	free	mg/dm ³
Oxygen	< 10	mg/dm ³
Chloride ions	< 50	mg/dm ³
Sulphate ions	< 250	mg/dm ³
Nitrates and nitrites	< 10	mg/dm ³
COB	< 7	mg/dm ³
Ammonia	< 5	mg/dm ³
Iron	< 0.2	mg/dm ³
Manganese	< 0.2	mg/dm ³
Conductivity	< 2200	µS/cm
Solid residue from evaporation	< 500	mg/dm ³
Potassium manganate consumption	< 25	mg/dm ³
Suspended matter	< 3	mg/dm ³
(part flow cleaning recommended)	> 3 < 15	mg/dm ³
(continuous cleaning)	> 15	mg/dm ³

5. Functional principle

The air inside the control cabinet is moved over a laminar heat exchanger through which a coolant medium runs, making use of the counter-flow principle. The fan blows the warm air along the aluminium fins of the heat exchanger; it cools down and is then returned into the cabinet. The heat exchanger fan runs constantly, providing continuous circulation of the air in the cabinet. This circulation prevents hot spots within the control cabinet. During this process, the coolant heats up and is returned to the coolant supply system at an increased temperature.

In order to save operating costs, and in the interests of environmental protection, the water temperature can be reduced by re-cooling systems or cold water sets so that it can be reused in the heat exchanger. This process involves the water circulating in a closed circuit.

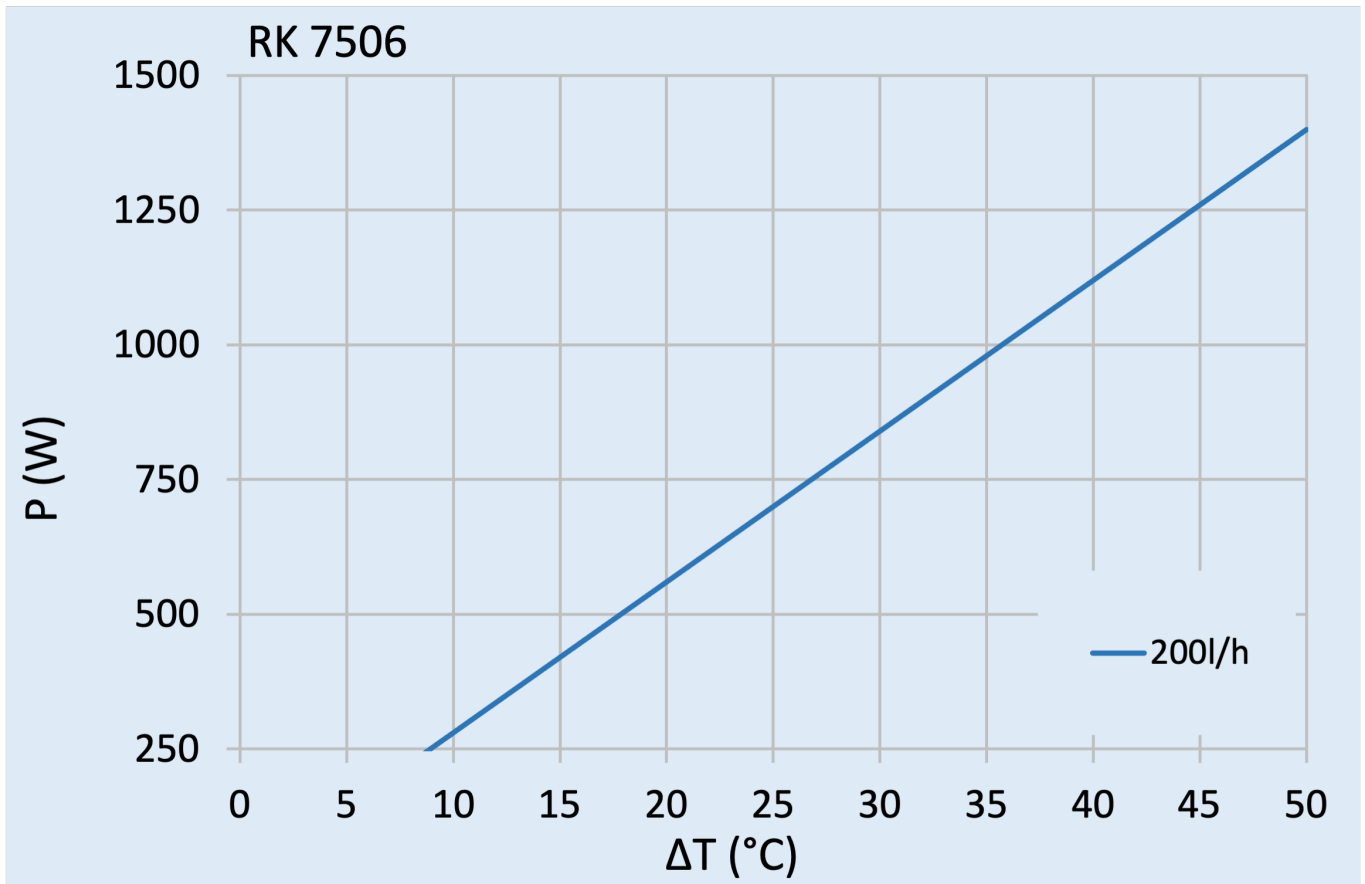
1. Air intake cabinet side
2. Radial fan cabinet side
3. Heat exchanger
4. Air outlet cabinet side
5. Water in
6. Water out



6. Technical data

Order Number	750621B001
Cooling capacity 95F/W50F (53 GPH)	700 W
Coolant	Water, light oils or similar
Operating temperature range	1°C - 60°C
Air volume flow (system / unimpeded)	110 / 220 m ³ /h
Mounting	Wandanbau / Halbeinbau
Housing Material	Mild steel, powder coated
Dimension H x W x D	600 x 250 x 127 (37 + 90) mm
Weight	8.5 Kg
Voltage / Frequency	380/415 V 50 Hz 2~ 400/460 V 60 Hz 2~
Starting current	1.0 A
Max. current	0.25 A
Max. power	35 W
Pressure water circuit	10 bar
Water connection	Rp 3/8" - Innengewinde (mit optionalen Anschlüssen für Rohrinnendurchmesser von 10 mm)
Fuse	1 A (T)
Connection	5-polige Anschlussklemme für Signale 4-polige Anschlussklemme für Spannung
Ingress protection	IP 55 / Type 12, 3, 3R, 4, 4X
Approvals	CE, cURus, cULus

7. Performance graph



8. Mounting



The power supply rating on unit rating plate must comply with mains rating.



Always disconnect the power supply before opening the unit.

Seifert heat exchangers have an extremely compact design and construction, giving them the advantage of occupying very little space. In addition, the SLIMLINE HEX models can be mounted externally or recessed, as required.

To achieve a good seal between the control cabinet and the heat exchanger, the unit's mounting surface on the control cabinet may need to be reinforced. The air intake and outlet must not be obstructed by equipment inside the control cabinet, so that the air is mixed thoroughly and thermal stratification is avoided.

For the heat exchanger to work perfectly, the cabinet must be completely sealed from its surroundings. An imperfectly sealed control cabinet will result in an increased level of condensation. The control cabinet should have a minimum of IP54 protection, in accordance with IEC 60 529.

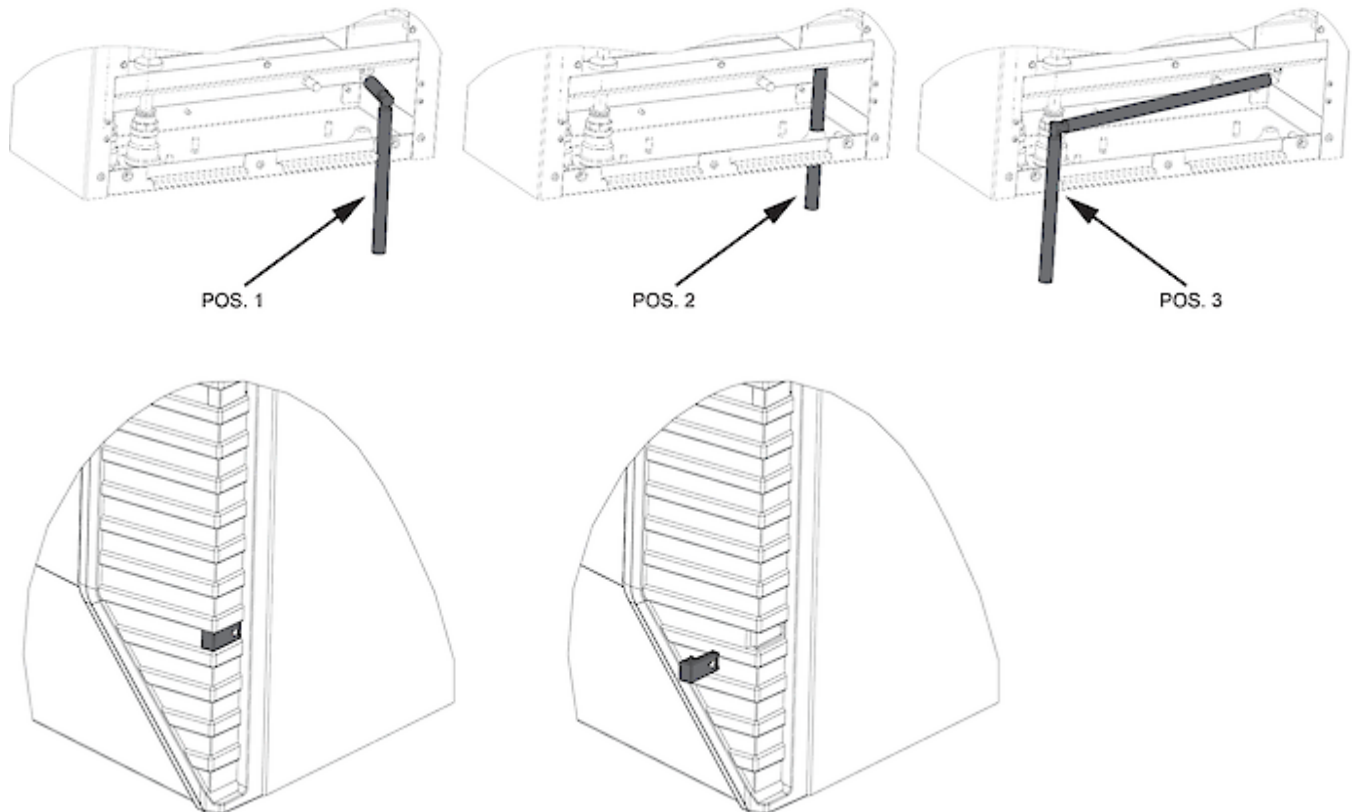
Cooling medium connection

There are two pipe connection points in the bottom or in the top of the unit to connect the coolant supply. The pipe connectors have a G3/8" or G1/2" female thread depending on version. Before connecting the coolant circuit, note the flow direction of the coolant medium. Next to the pipe connectors, there are labels to identify the inlet and outlet of the coolant medium. A small indent is also present in the housing next to the inlet port. To empty the unit connect the water inlet pipe to a compressed air supply and route the water outlet pipe to a location where the water can be drained. If a solenoid valve is installed on the unit this will be open if the unit is turned off. Slowly open the compressed air supply till all the water in the heat exchanger is flushed out. Ensure that the pressure of the system is below the rated pressure of the unit and fitting.

9. Condensate management

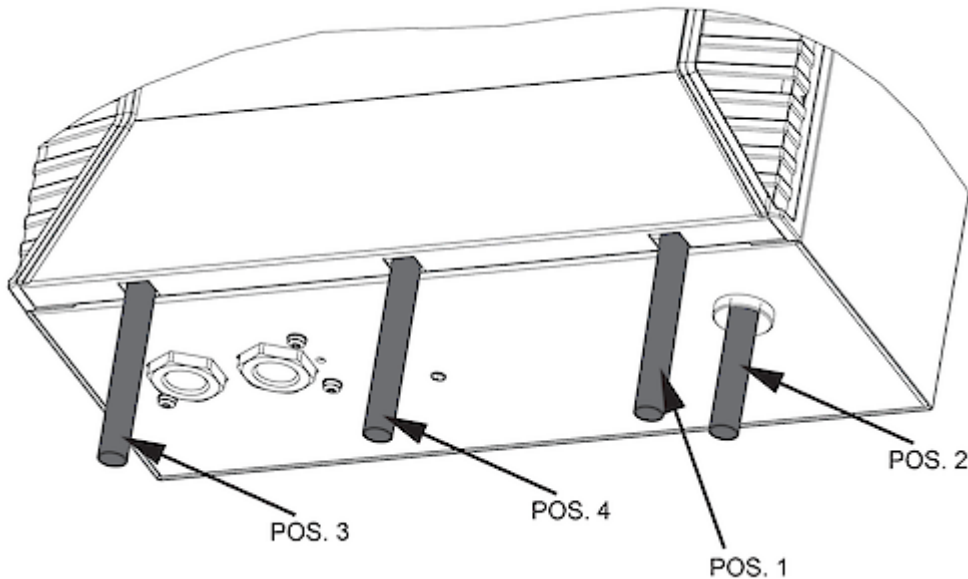
High humidity and low temperatures inside the enclosure can lead to condensation on the evaporator. Condensate that flows back into the enclosure can damage sensitive control electronics.

If too much condensation forms, the condensation is drained out of the cooling unit from outlets in the front bottom cover (Position 1, 3 and 4) or directly through the bottom of the unit (Position 2). The drain pipe must be connected wherever is most suitable for the customer application.



To install the drain pipe directly through the bottom of the unit (Position 2) please follow below steps:

1. Remove the top cover, middle cover, and bottom cover. The top cover does not need to be removed on the RK-7525 and RK-7555. The louver blanks that are marked with an arrow need to be removed carefully with a flat blade screwdriver. Then a torx screwdriver is to be used to loosen the screws behind the removed louver blanks. There is no need to completely remove the screws.



1. Remove the sealing panel. Remove only the lower sealing panel on the RK-7525 and RK-7555.
2. Take the grommet supplied in the packing bag and insert in the bottom panel.
3. Insert the drain hose from the bottom of the unit and keep pushing until it is fully inserted in the drain fitting.
4. Re-install the sealing panel.
5. Re-install the covers and the louver blanks.

To install the drain pipe through the front bottom cover (Positions 1 and 3) please follow below steps:

1. Remove the top cover, middle cover, and bottom cover. The top cover does not need to be removed on the RK-7525 and RK-7555. The louver blanks that are marked with an arrow need to be removed carefully with a flat blade screwdriver. Then a torx screwdriver is to be used to loosen the screws behind the removed louver blanks. There is no need to completely remove the screws.
2. Remove the sealing panel. Remove only the lower sealing panel on the RK-7525 and RK-7555.
3. Install the M5 silicon washer and the condensate drain elbow fully into the drain fitting.
4. Take a section of drain pipe supplied in the packing bag and insert over the condensate drain elbow.
5. Insert the barbed POM elbow fully into the drain pipe.
6. Insert the remaining drain pipe over the barbed POM elbow and route outside of the unit.

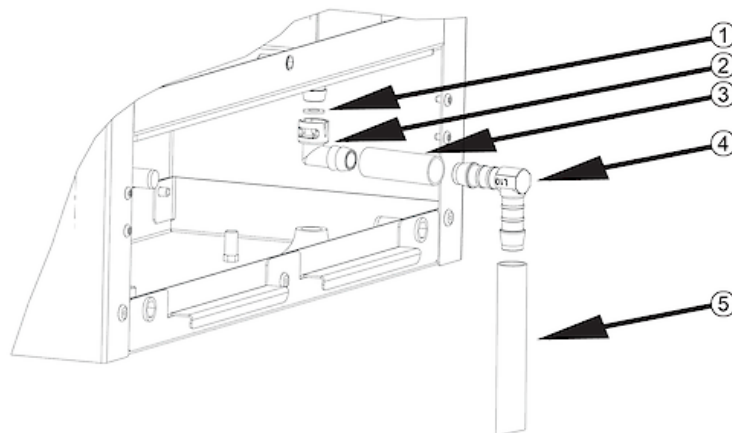
1 - M5 silicon washer

2 - Condensate drain elbow

3 - Drain hose

4 - Barbed POM elbow

5 - Drain hose



7. Re-install the sealing panel.
8. Re-install the covers and the louver blanks.
9. Take the grommet supplied in the packing bag and insert in the bottom panel.

If this drain pipe is not used, then the drain point in the bottom of the unit **MUST** be open. A grommet is supplied in the packing bag to be installed in the bottom of the unit if an alternate drain location is used.

In order to prevent the formation of excessive condensate, you should nevertheless:

- check the seals on regular intervals
- consider installing a door contact switch (order no. 3100001). This will prevent condensation forming when enclosure door is left open.

10. Mounting Principle

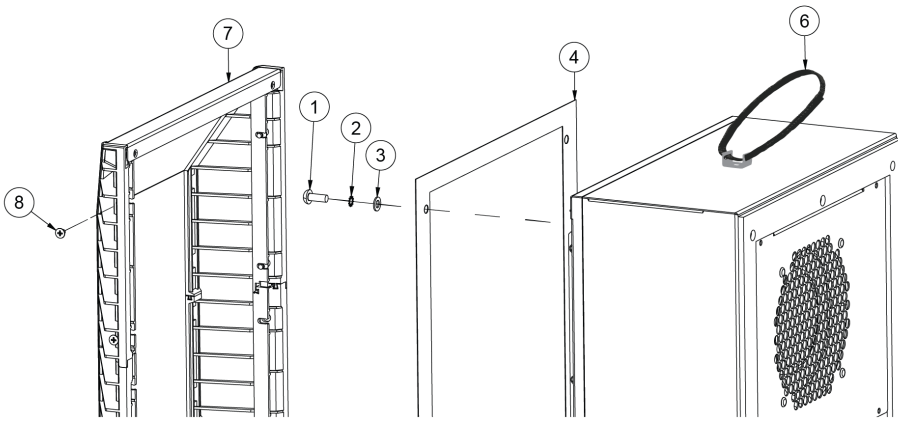


Fig. 1

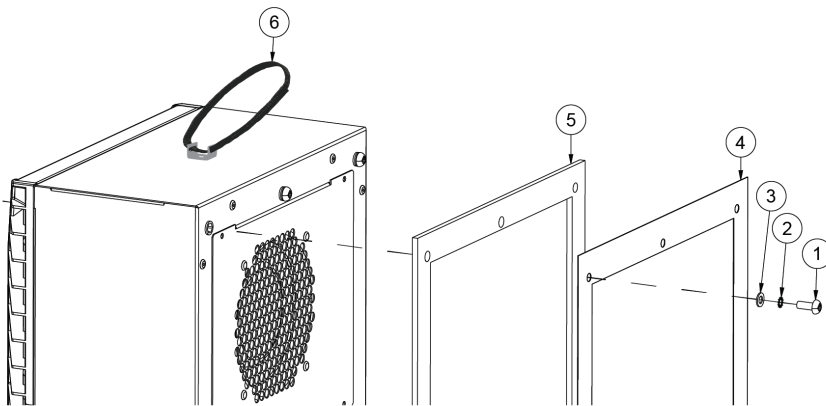
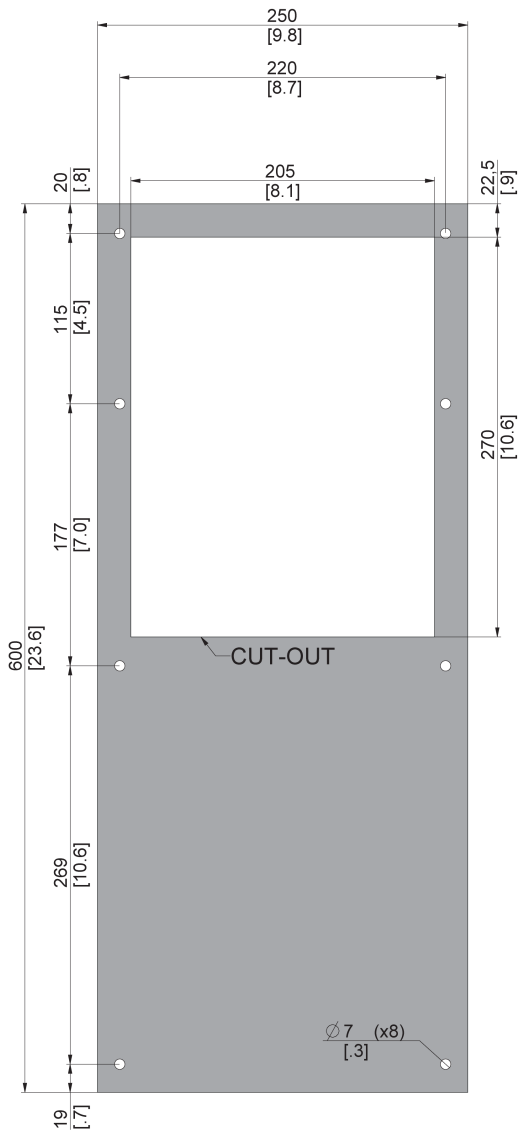
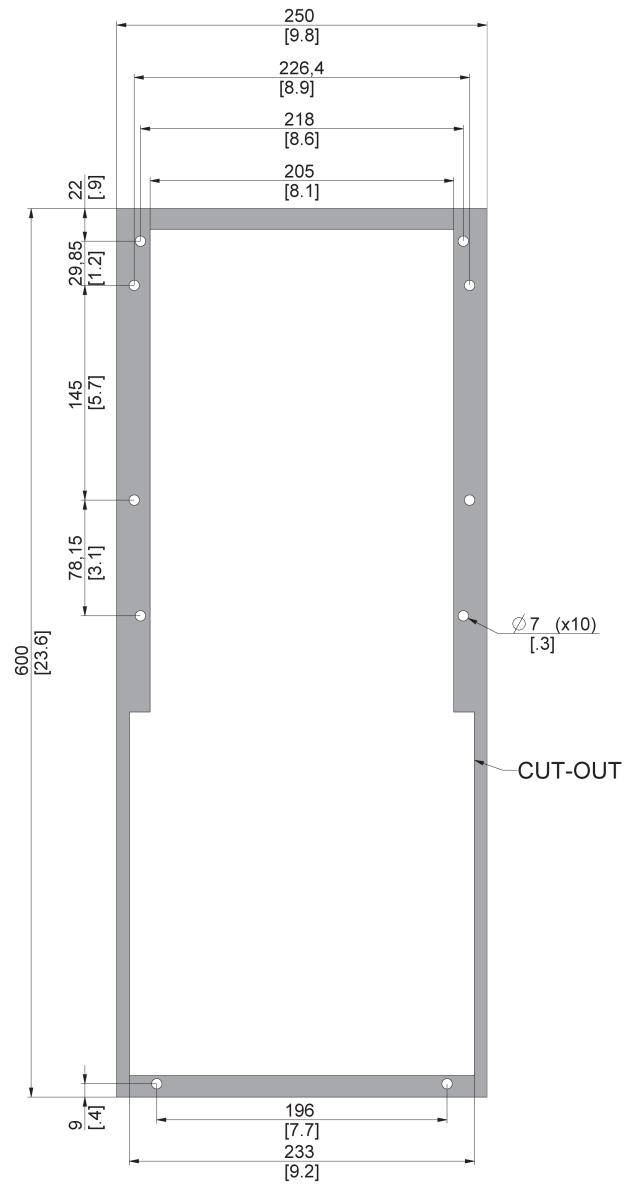


Fig. 2

11. Cut out dimensions

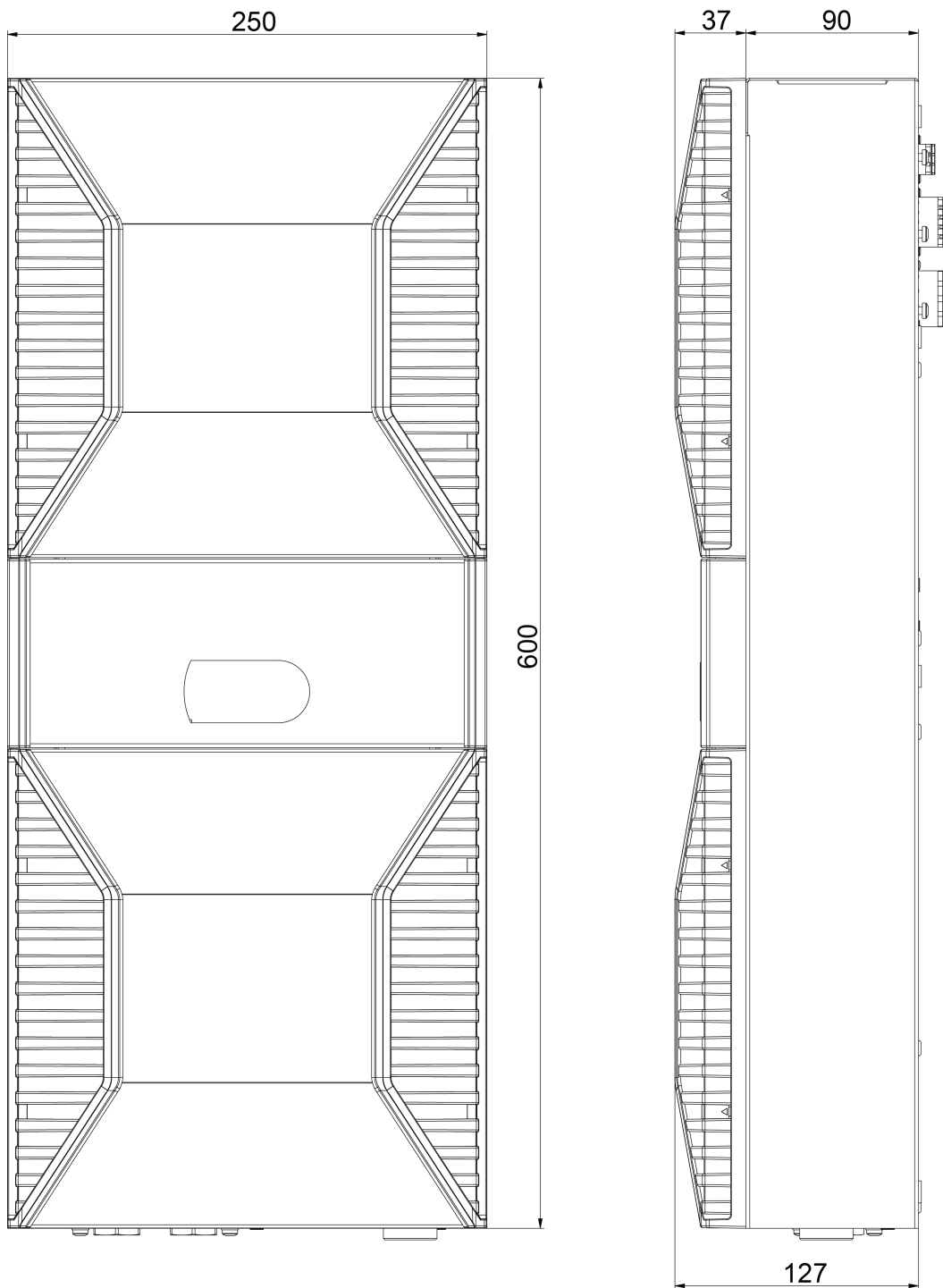


CUT-OUT FOR EXTERNAL



CUT-OUT FOR RECESSED

12. Dimensions (H x W x D)



13. Controller

Einstellen des Sollwerts

Der Temperatur-Sollwert kann zwischen 0°C und 60°C eingestellt werden. Der Sollwert wird durch den Parameter St gesteuert. Die Standardeinstellung beträgt 25°C.

Änderung der Temperatureinstellung:

- Drücken Sie die rote Set-Taste 1 Sekunde lang, bis St auf dem Display erscheint.
- Drücken Sie die Tasten Up/Down, um den gewünschten Wert zu erreichen.
- Drücken Sie die Set-Taste, um die neue Einstellung zu speichern.

Einstellen der Alarmwerte für hohe und niedrige Temperaturen

Der Sollwert für den Hochtemperaturalarm wird über den Parameter AH gesteuert. Die Standardeinstellung ist 55°C.

Der Sollwert für den Niedrigtemperaturalarm wird über den Parameter AL eingestellt. Die Standardeinstellung ist 0°C.

Einstellen der Parameter

- Drücken und halten Sie SET für 3-5 Sekunden, bis PS angezeigt wird.
- Lassen Sie los und drücken Sie erneut kurz SET, um 0 anzuzeigen.
- Drücken Sie den Pfeil nach oben, bis Sie den Wert 22 erreicht haben. Drücken Sie dann SET. (Dies ist das Werkspasswort für den Zugriff auf die geschützten Parameter). Sobald Sie auf die Parameterliste zugreifen, wird wieder PS angezeigt.
- Drücken Sie die Tasten UP oder DOWN, um durch die verschiedenen Parameter zu blättern.
- Drücken Sie SET, um bei Bedarf den gespeicherten Wert des ausgewählten Parameters anzuzeigen.
- Drücken Sie auf UP/DOWN, um den Parameterwert bei Bedarf zu ändern.
- Drücken Sie SET, um den aktuell angezeigten Wert zu speichern.
- Wenn Sie mit der Einstellung der Parameter fertig sind, halten Sie SET 5 Sekunden lang gedrückt, um die vorgenommenen Änderungen zu speichern. Die Anzeige kehrt zur Temperaturanzeige zurück. (Dieser letzte Schritt muss korrekt ausgeführt werden, sonst gehen alle Parameteränderungen verloren).

Verhalten des digitalen Eingangs

Das Gerät kann über einen Türkontaktschalter (optional) ein- und ausgeschaltet werden. Im Auslieferungszustand sind die Türkontakt Klemmen auf der Buchse gebrückt. Zum Anschluss des Türkontaktschalters bitte die Brücke entfernen und den Türkontaktschalter anschließen. Der Kontakt muss geschlossen sein, wenn die Schranktür geschlossen ist.

Achtung

Das Gerät kann durch falsche Einstellungen beschädigt werden. Ändern Sie keine anderen Werte als die oben angegebenen. Das Einstellen anderer Werte kann zu fehlerhaftem Betrieb und zur Beschädigung des Geräts führen.

14. Wiring diagram

Zuleitung

PE

L3

L2

L1

Signalsteckverbinder

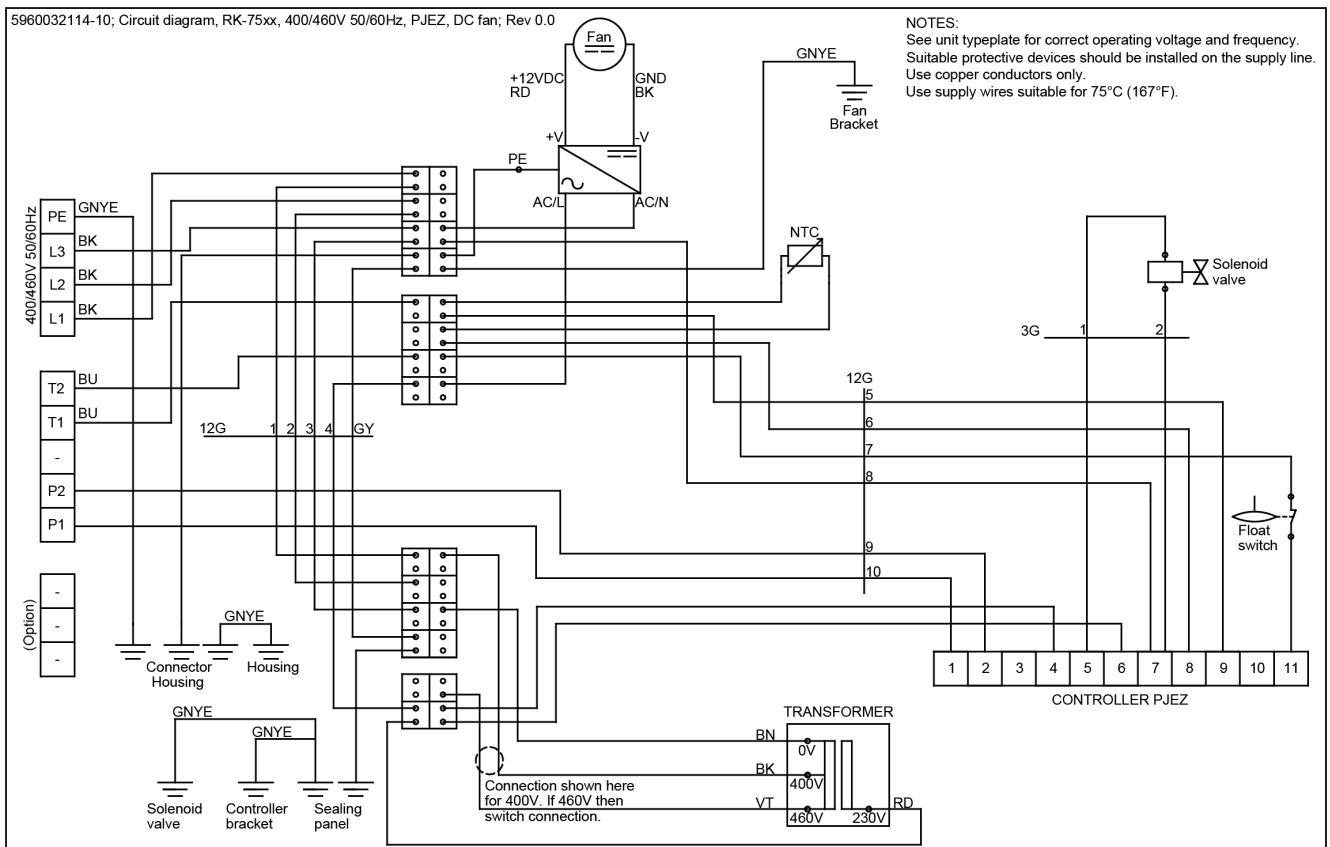
Türkontakt T2

Türkontakt T1

/

Alarmkontakt P2

Alarmkontakt P1



15. Taking into operation

The cooling performance of the heat exchanger is dependent on the water flow rate available from the supply. The water flow is dependent on the water supply system to which the heat exchanger is connected and is affected by various factors, such as conduit pressure, conduit diameter, etc.

1. Units without water flow regulator

These units do not have any automatic control functions.

2. Units with Solenoid valve

The solenoid valve is switched electrically. If the unit power is off, the valve is open.

3. Units with temperature controller

The unit is equipped with a temperature controller which regulates the function of the unit. On normal working conditions the display shows the temperature inside the enclosure. The controller "set point" for the interior of the enclosure (parameter St) is pre-set at 77°F and can be adjusted between +68°F and +122°F.

The High temperature alarm (parameter AH) is preset at 131°F.

Modifying controller parameters

1. Press the SET button for more than 3 sec. (if there are active alarms, mute the buzzer). The display shows the parameter code 'PS' (password).
2. Only for parameters requiring password: Press the SET button to access the password setting, use the UP and DOWN buttons to scroll the numbers until displaying, "22" (default password to access the parameters), press the SET button to confirm the password
3. Use the UP and DOWN buttons to scroll the parameters. The LED corresponding to the category of parameters will be on
4. Press SET to display the value associated with the parameter
5. Increase or decrease the value using the UP or DOWN button respectively
6. Press SET to temporarily save the new value
7. Press the SET button for more than 3 sec. to permanently save the new parameters and exit the parameter setting procedure.

If no button is pressed for 60 sec. all changes made to the parameters, temporarily saved in the RAM, will be cancelled and the previous settings restored. The cooling unit manufacturer is in no way liable for any alterations the customer may make to the factory set parameters, unless the manufacturer has authorized the customer in writing to change them.

This manual is intended as quick reference for controller, for a full controller manual or if you need to restore the factory parameters please go to our website to download the full manual or to locate your nearest servicing office.

4. Units with door switch

The unit can be switched on and off via a door contact switch (optional). When delivered the door contact terminals are bridged on the female connector. To connect the door contact switch remove the bridge and connect door contact switch. The contact must be closed when the cabinet door is closed.

16. Maintenance & Cleaning

The unit should have regular functional tests (approx. every 2,000 hours depending on the grade of ambient pollution).

17. Maintenance

Every unit is given a performance test under load at the factory. The units are largely maintenance-free, however, the following points should be observed:

1. Fan replacement

Before replacing the fan, the equipment must be switched off from the power supply (pull out mains plug or connecting cable). The rated life time of the fan is L10 = 30.000 hours under normal operational conditions. Should it become necessary to replace the fan, remove the support for the fan by loosening the 4 fastening screws. To detach the fan from the fan support loosen a further 4 screws and the fan connecting cable. When connecting the new fan, take care that the correct polarity is maintained.

2. Controller replacement

Before replacing the controller, isolate the equipment from the power supply (pull out mains plug or connecting cable). Detach the controller from its support by unclipping the unit and the connectors. When connecting the new controller make sure that the correct polarity is maintained.

3. Environmental protection

If the heat exchanger has reached its end of life state, we will dispose it if it is returned to us freight paid.

4. Maintenance work on the unit

All the maintenance operations described above should only be carried out by expert personnel. All work on the cooling circuit should only be carried out at the factory.

18. Transport & Storage

- Malfunction due to transport damage. During transport and storage the heat exchanger must be kept in the position marked on the box and at a temperature between -40°F and 158°F and a relative humidity of max. 95% (at 77°F). Check the packaging has not been damaged during shipping.*
- Damage to the unit through incorrect transport. Please ensure that all liquid has been removed prior any transport.*

To avoid transport damage the unit should be returned in the original packing or in a packing case and must be strapped to a pallet. If the unit cannot be returned in the original packing please ensure that:

- A space of at least 1.18 inch must be maintained at all points between the unit and the external packing.
- The unit must be firmly fixed in the packing.
- The unit must be protected by shock -resistant padding (hard foam corners or cardboard corners).

Seifert Systems GmbH Albert-Einstein-Str. 3 42477 Radevormwald Germany Tel.+49 2195 68994-0 info.de@seifertsystems.com	Seifert Systems Ltd. HF09/10 Hal-Far Industrial Estate Birzebbuga, BBG 3000 Malta Tel.+356 2220 7000 info@seifertsystems.com	Seifert Systems AG Wilerstrasse 16 4563 Gerlafingen Switzerland Tel.+41 32 675 35 51 info.ch@seifertsystems.com	Seifert Systems GmbH Bärnthäl 1 4901 Ottnang Austria Tel.+43 7676 20712 0 info.at@seifertsystem.com	Seifert Systems Ltd. Rep. Office 26100 Cremona Italy Tel.+39 349 259 4524 info@seifertsystems.com	Seifert Systems Inc. 75 Circuit Drive North Kingstown RI 02852 USA Tel.+1 401-294-6960 info.us@seifertsystems.com	Seifert Systems Pty Ltd. 105 Lewis Road Wantirna South 3152 Victoria Australia Tel.+61 3 98 01 19 06 info@seifertsystems.com.au
--	---	---	---	---	--	--