

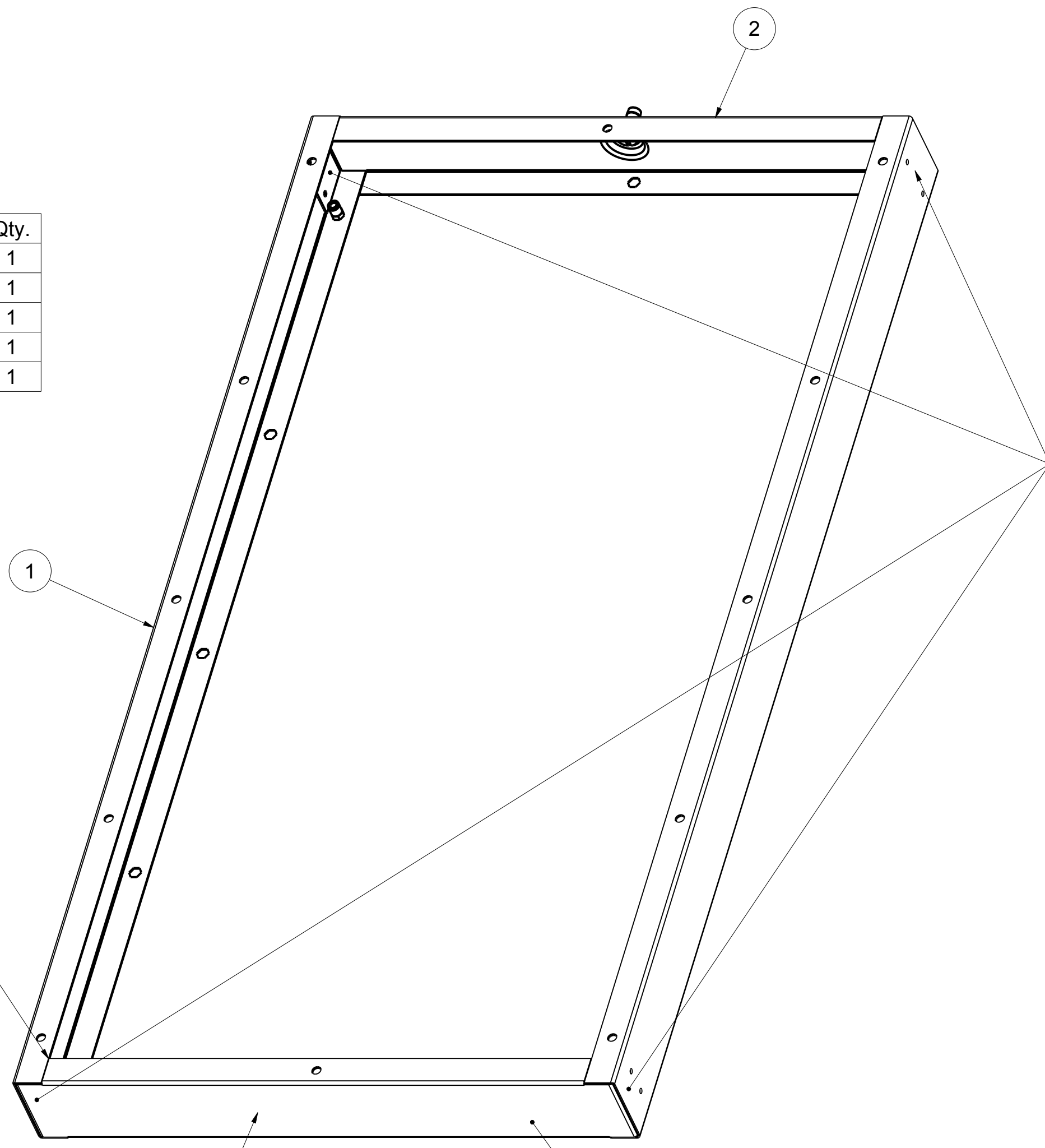
UNLESS OTHERWISE SPECIFIED, DIMENSIONS ARE IN MM. DIMENSIONS W/O TOLERANCES ISO2768-mK AS FOLLOWS. SURFACES ISO1302. TOLERANCES ARE NOT CUMULATIVE.

LINEAR DIMENSIONS							
0.5 to 3	>3 to 6	>6 to 30	>30 to 120	>120 to 400	>400 to 1000	>1000 to 2000	>2000 to 4000
±0.1	±0.1	±0.2	±0.3	±0.5	±0.8	±1.2	±2

ANGULAR DIMENSIONS					BEND DIRECTION	
to 10	>10 to 50	>50 to 120	>120 to 400	>400	↗ ↖	BEND OUT
±1°	±0°30'	±0°20'	±0°10'	±0°5'	↘ ↙	BEND IN

DO NOT ASSEMBLE POPNUTS IN MANUFACTURING SECTION!

Item	Description	Art.no.	Qty.
1	Duct Edges	M5930043631	1
2	Duct Edges 2	M5930043632	1
3	Duct Edges 2	M5930043633	1
4	Duct Edges 4	M5930044569	1
5	Water Tray Drain Fitting	5920014417	1



FULL WELD AND GRIND GAPS BETWEEN PARTS AT ALL FOUR CORNERS OF ASSEMBLY

SPOT WELD FLAPS AT ALL 4 CORNERS

OUTER SURFACE SCRATCH-FREE

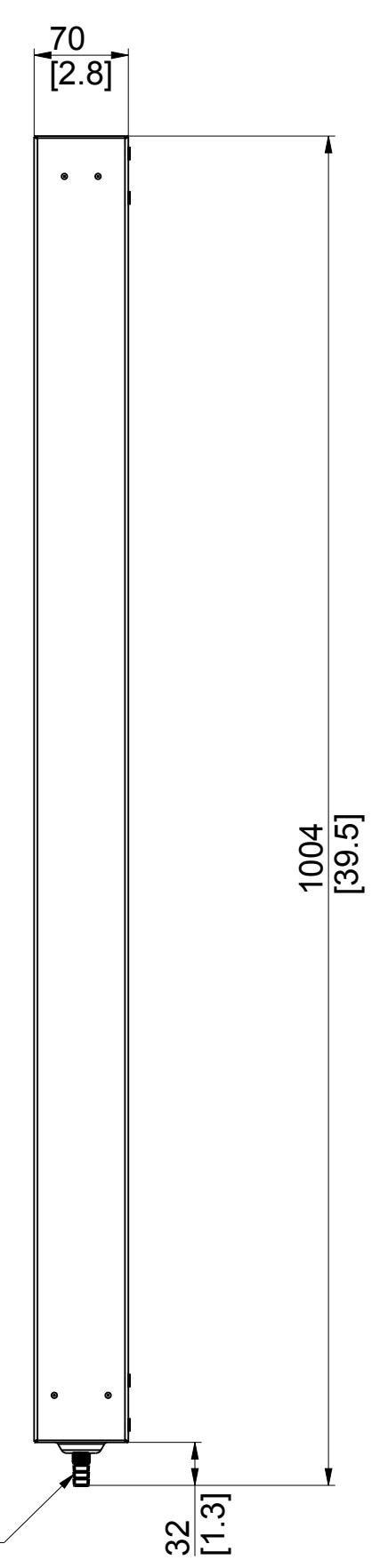
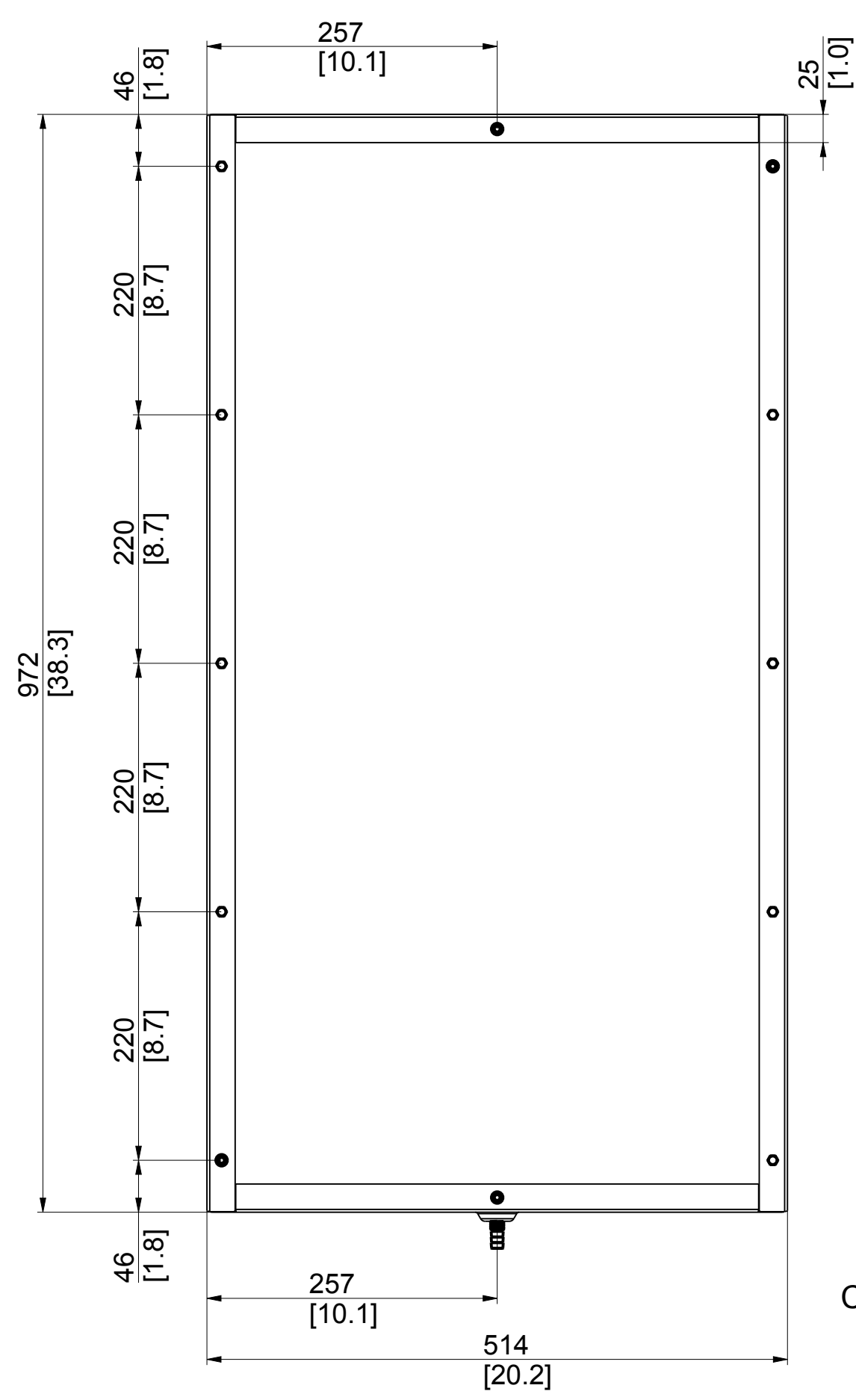
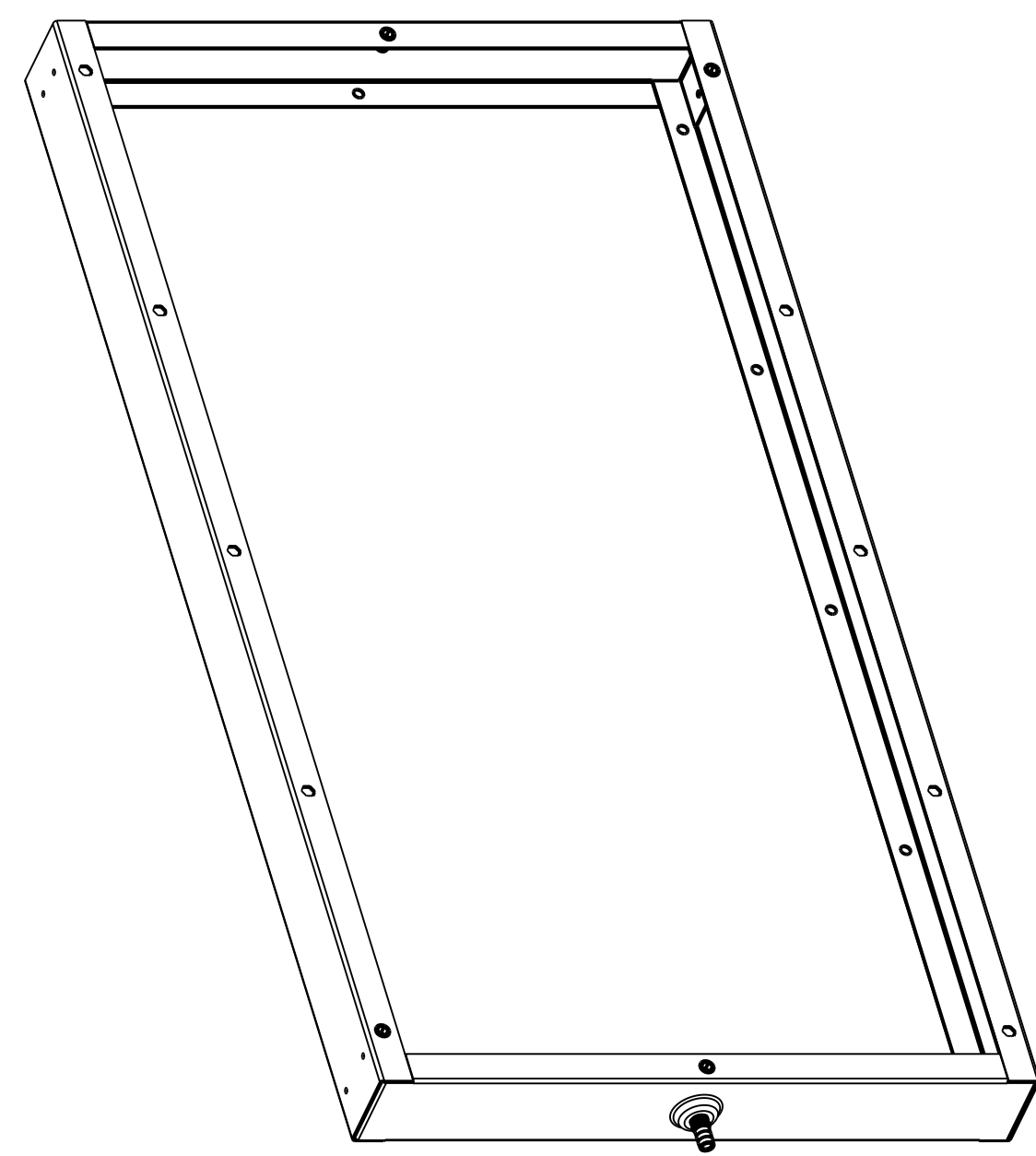
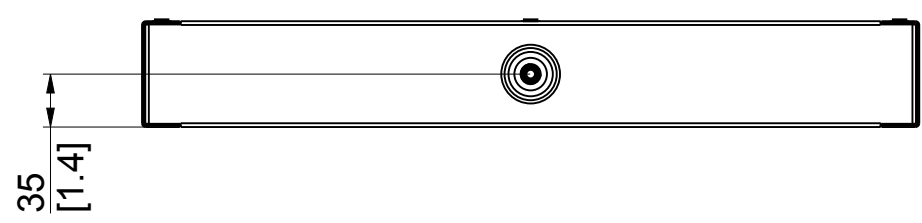
NOTES:
 1. THIS IS A PRO/ENGINEER PARAMETRIC DRAWING. ANY CHANGES MUST BE WITHIN PRO/INTRALINK.
 2. REMOVE ALL BURRS AND SHARP EDGES.

REV	BY	DATE	DESCRIPTION
0.3	BG	26.02.20	Added assembly view
0.2	DC	09.08.17	Changed assy BOM

Art.no.:	M5930044276		
Material:	-		
Duct MNF Assy TG-6805			
Designed:	-	-	FIRST ANGLE PROJECTION
Drawn:	D.Cini	24.03.2017	SHEET SCALE
Checked:	-	Approved: -	1 of 2 0.300
44276			ISSUE SIZE
			0.3 A2

44276	DRAWING	0.3	Work In Progress
TG6805-DUCT	ASSEM	0.9	Work In Progress
PRO/E_FILENAME	FILE TYPE	REV	RELEASE





Condensate Drain Fitting



44276	DRAWING	0. Work In Progress
TG6805-DUCT	ASSEM	0. Work In Progress
PRO/E FILENAME	FILE TYPE	REV RELEASE

WE RESERVE ALL COPYRIGHT AND OTHER RIGHTS IN THIS DOCUMENT SEIFERT SYSTEMS LTD.

Art.no.: M5930044276			
Material: -			
Duct MNF Assy TG-6805			
SHEET	SCALE	SIZE	FIRST ANGLE PROJECTION
2 of 2	0.200	A2	
44276			