



wegweisend innovativ

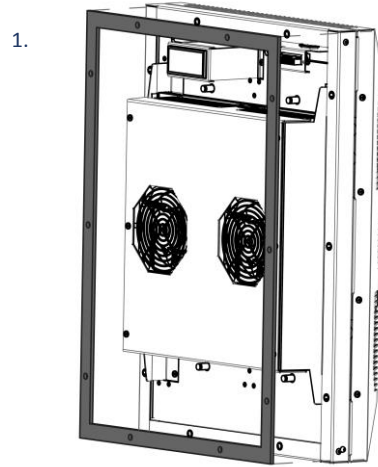
TG-101x ASSEMBLY INSTRUCTIONS SHEET

PARTS SUPPLIED:

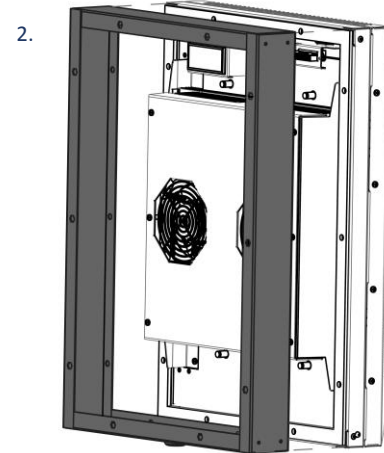
- DUCT ASSEMBLY x1
- MOUNTING GASKET x2
- SCREW/TOOTHED WASHER FASTENER KITS
- DRAIN FITTING FOR 10MM PIPE x1
- LOCKNUT FOR DRAIN FITTING x1
- NYLON WASHER x1

TOOLS REQUIRED:

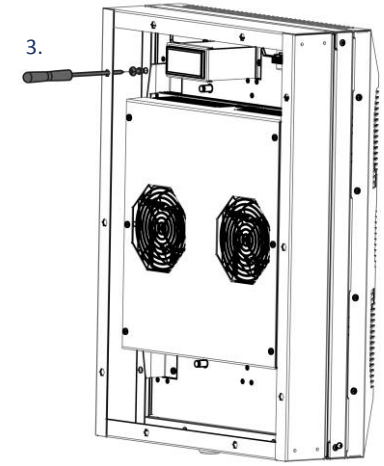
- PHILIPS HEAD SCREW DRIVER
- BLIND RIVET NUT TOOL



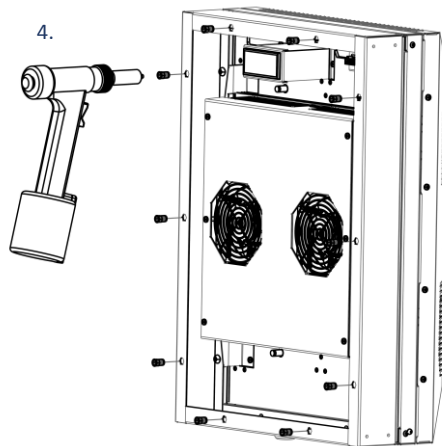
1. IF MOUNTING GASKET IS SET OR DAMAGED, REPLACE WITH ONE SUPPLIED WITH THE KIT.



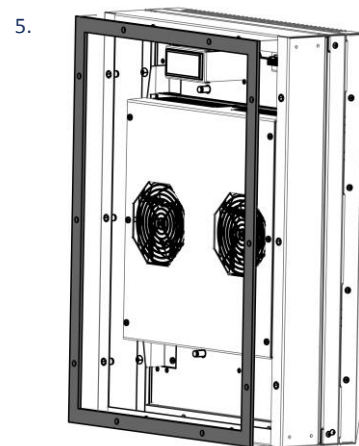
2. WITH MOUNTING GASKET IN PLACE ALIGN DUCT WITH THE SIDES OF THE UNIT.



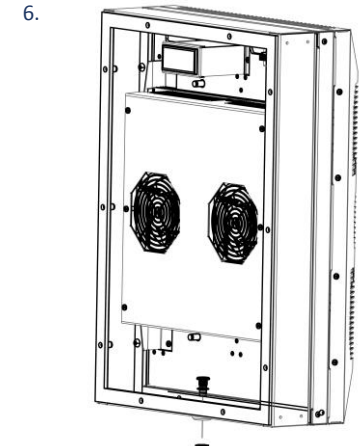
3. USING A SCREW DRIVER, FIX THE DUCT USING THE SUPPLIED SCREWS AND TOOTHED WASHERS.



4. USING AN APPROPRIATE TOOL FIX THE MOUNTING RIVET NUTS TO THE HEXAGON CUTOUTS ON THE DUCT.



5. WITH ALL THE MOUNTING RIVET NUTS IN PLACE, ATTACH THE SUPPLIED MOUNTING GASKET TO THE DUCT.



6. ATTACH THE CONDENSATE DRAIN FITTING, NYLON WASHER AND LOCK NUT IN THE FORMING AT THE BOTTOM OF THE DUCT.