

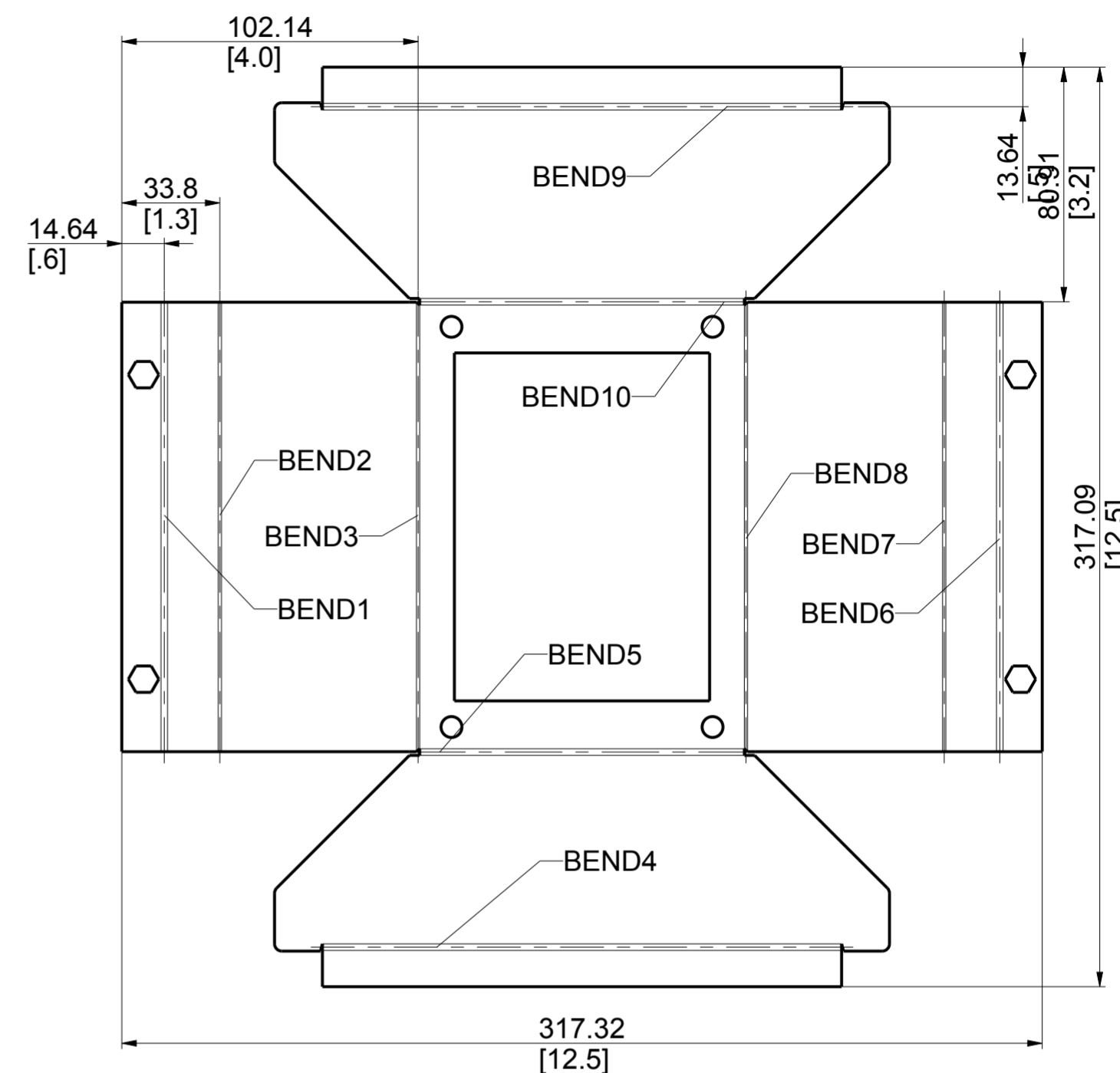
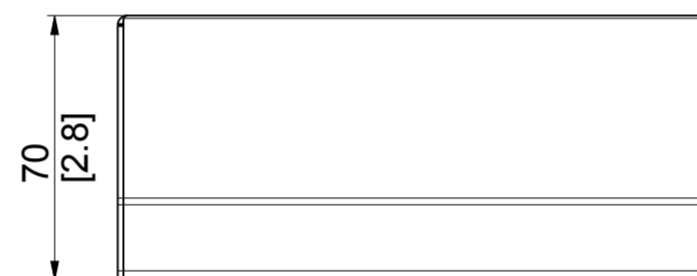
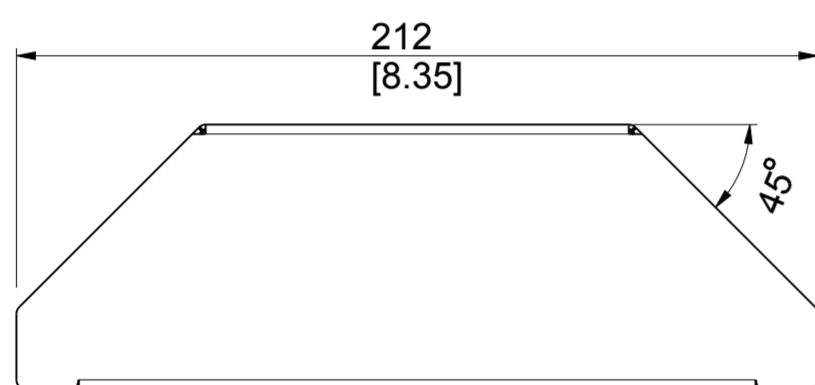
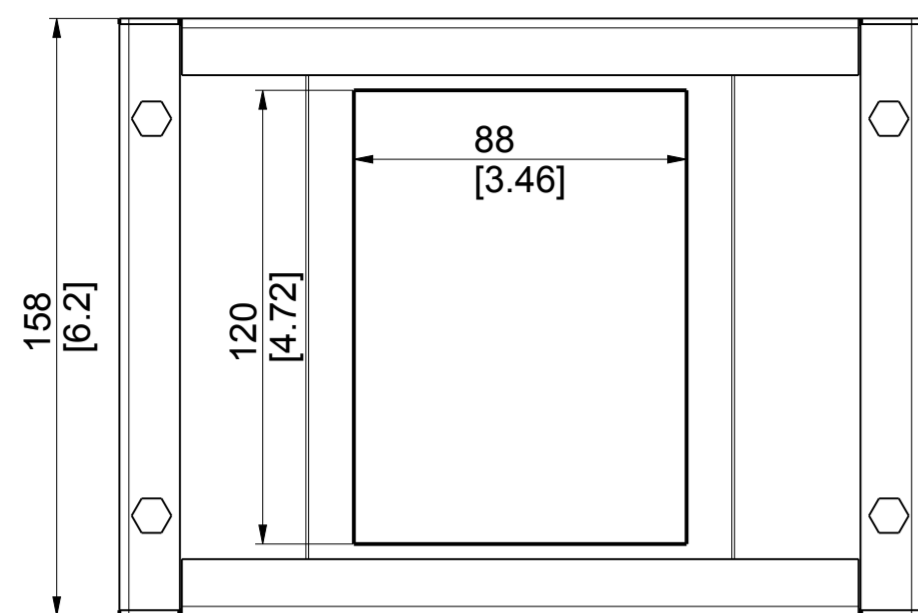
ISS	DESIGNER	DRAWN BY	ISS. DATE
0.2	B.Galea	B.Galea	26.02.2020

Added assembly view

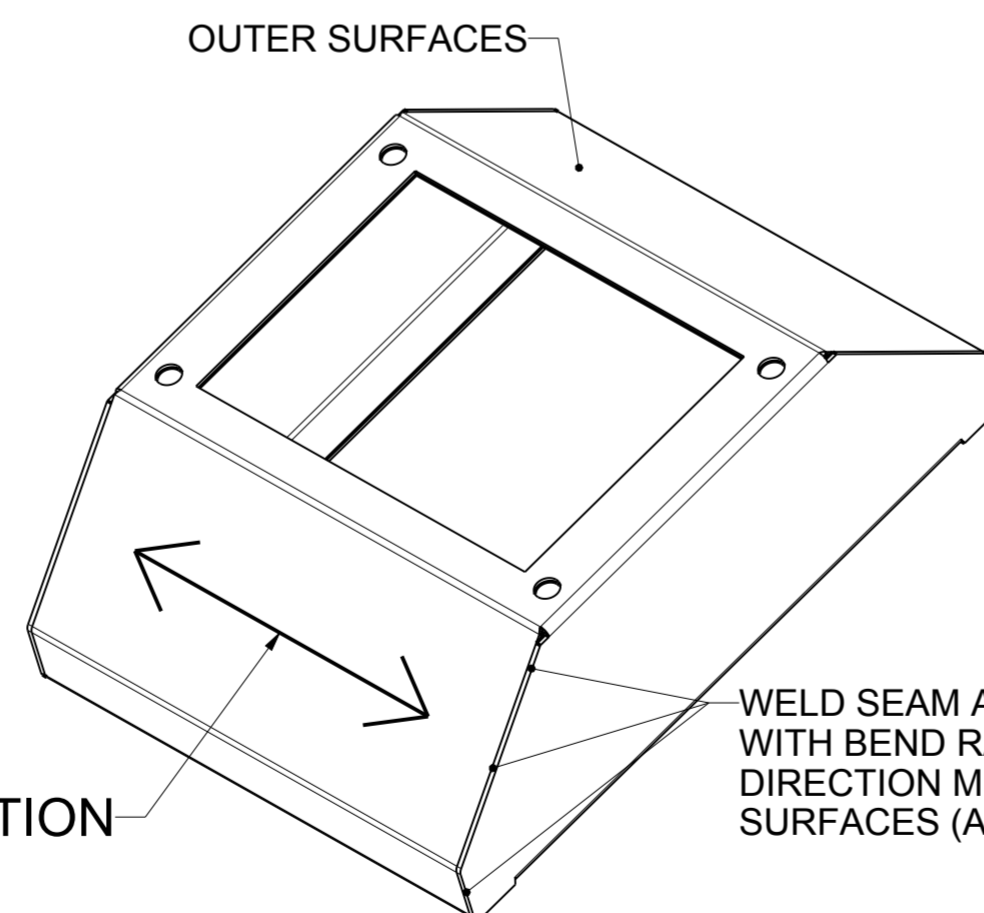
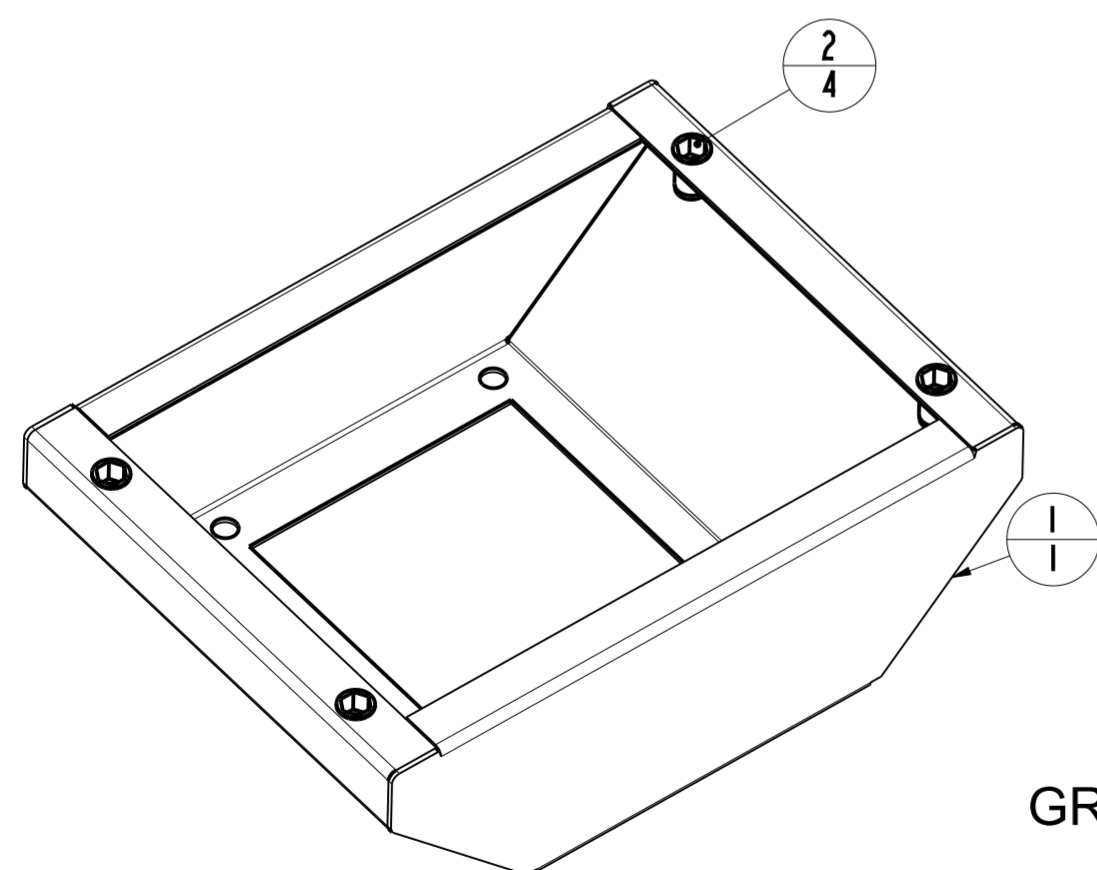
OUTER SURFACE FINISH:
GRAIN DIRECTION MUST BE MAINTAINED AFTER FINAL BUFFING,
NO VISUAL CROSS-GRAIN AND MARKS ARE ALLOWED.

NOTES:

- UNLESS OTHERWISE SPECIFIED, DIMENSIONS ARE IN MM. DIMENSIONS W/O TOLERANCES ARE IN MM. DIMENSIONS W/O TOLERANCES DIN ISO 2768-mK AS FOLLOWS. SURFACES DIN ISO 1302. TOLERANCES ARE NOT CUMULATIVE.
- THIS IS A PRO/ENGINEER PARAMETRIC DRAWING. ANY CHANGES MUST BE MADE WITHIN PRO/INTRALINK.
- REMOVE ALL BURRS AND SHARP EDGES.



BEND SEQ	#BENDS	BEND#	BEND DIRECTION	BEND ANGLE	BEND RADIUS	BEND LENGTH
1			OUT	90.000	2.500	2.273
2			OUT	45.000	2.500	1.116
3			OUT	45.000	2.500	1.116
4			OUT	90.000	2.500	2.273
5			OUT	90.000	2.500	2.273
6			OUT	90.000	2.500	2.273
7			OUT	45.000	2.500	1.116
8			OUT	45.000	2.500	1.116
9			OUT	90.000	2.500	2.273
10			OUT	90.000	2.500	2.273



WELD SEAM AND GRIND TO BLEND WITH BEND RADIUS, GRAIN DIRECTION MUST MATCH OTHER SURFACES (ALL 4 CORNERS)

Item	Description	Art.no.	Qty.
1	Duct 30W Version	M5930043041	1
2	Popnut M6 Hexagon Open A2	510069835	4

FIRST ANGLE PROJECTION

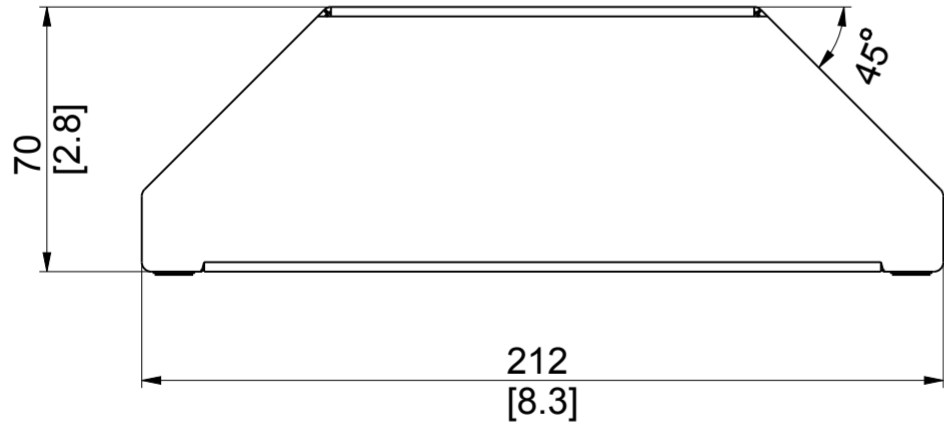
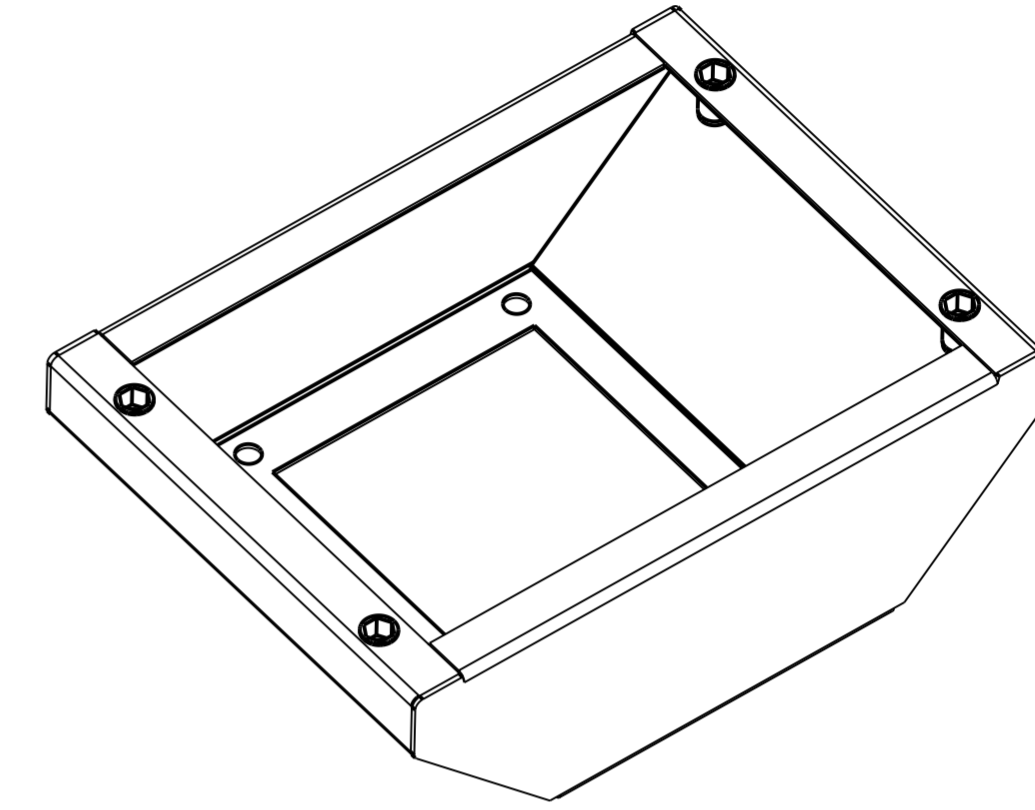
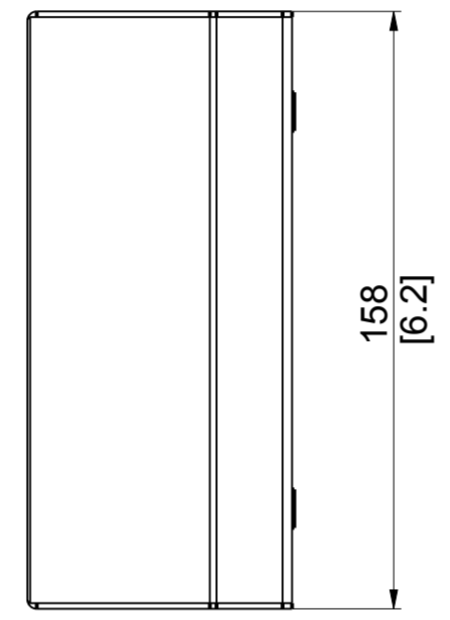
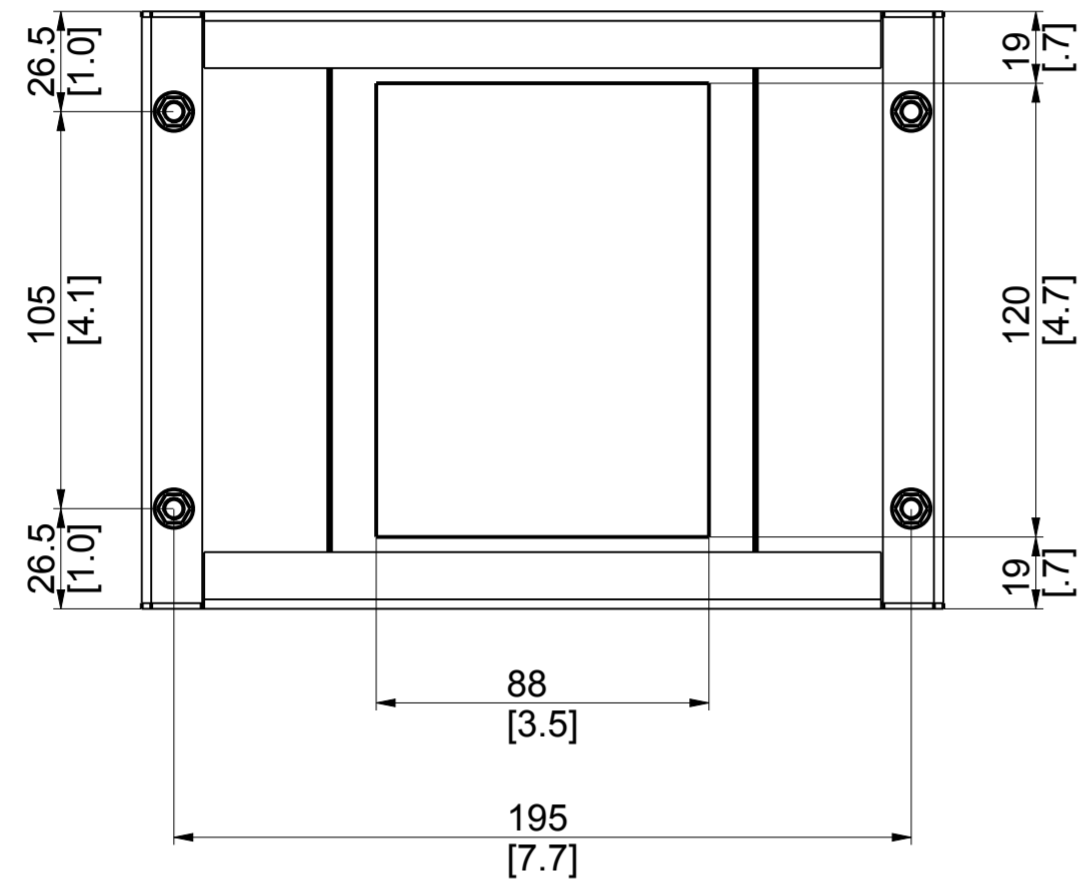
Designed by:	A.Camilleri	Date:	12.04.2016
Drawn by:	A.Camilleri	Date:	20.11.2012
Checked by:	-	Approved by:	-

Art.no.:	M5930043041
Material:	Stainless Steel, 1.5
	Duct 30W Version TG-3030

WE RESERVE ALL COPYRIGHT AND OTHER RIGHTS IN THIS DOCUMENT				SCALE
SEIFERT MTM SYSTEMS (MALTA) LTD.				0.500
43041	SHEET	ISSUE	SIZE	
	1 of 2	0.2	A2	

43041	DRAWING	0.2	Work In Progress
TG3030_DUCT	PART	0.3	Work In Progress
PRO/E FILENAME	FILE TYPE	REV	RELEASE





FIRST ANGLE PROJECTION

Art.no.:				M5930043041		
Material:				-		
				Duct 30W Version TG-3030		
WE RESERVE ALL COPYRIGHT AND OTHER RIGHTS IN THIS DOCUMENT				SCALE		0.500
SEIFERT MTM SYSTEMS (MALTA) LTD.				SHEET		2 of 2
				ISSUE		0.2
				SIZE		A2
43041						

43041	DRAWING	0.2	Work In Progress
TG3030_DUCT	ASSEM	0.4	Work In Progress
PRO/E FILENAME	FILE TYPE	REV	RELEASE

