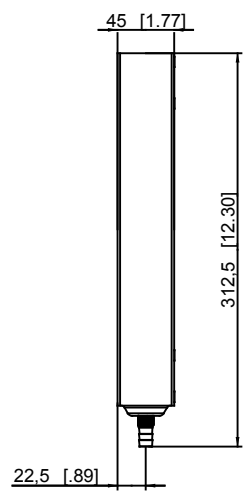
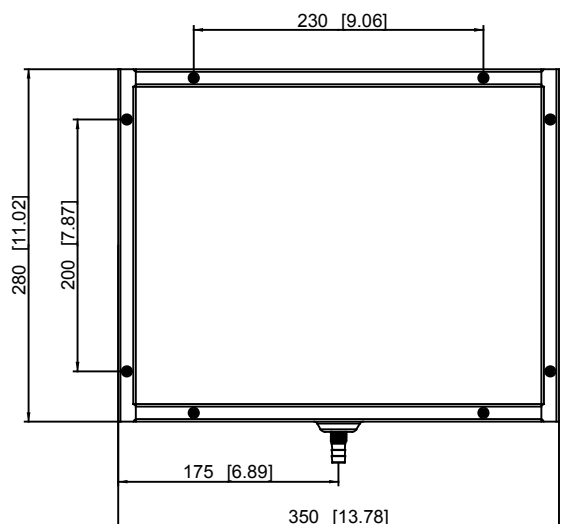
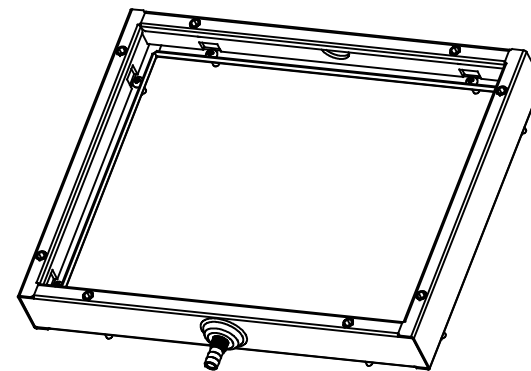
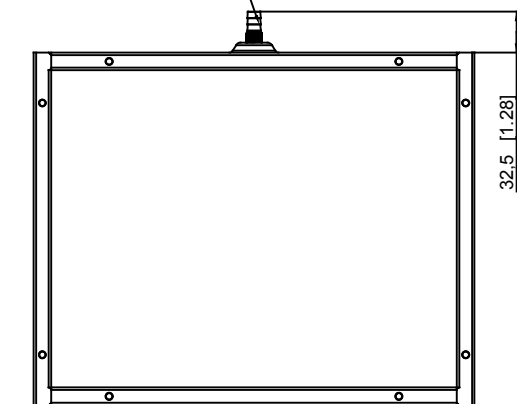


UNLESS OTHERWISE SPECIFIED, DIMENSIONS ARE IN MM. DIMENSIONS W/O TOLERANCES ISO2768-mK AS FOLLOWS. SURFACES ISO1302. TOLERANCES ARE NOT CUMULATIVE.

LINEAR DIMENSIONS							
0,5	>3	>6	>30	>120	>400	>1000	>2000
to	to	to	to	to	to	to	to
3	6	30	120	400	1000	2000	4000
±0.1	±0.1	±0.2	±0.3	±0.5	±0.8	±1.2	±2

ANGULAR DIMENSIONS					BEND DIRECTION	
to	>10	>50	>120		↙ ↑ BEND OUT	↘ ↓ BEND IN
10	50	120	400	>400		
±1°	±0°'30'	±0°'20'	±0°'10'	±0°'5'		

Condensate Drain Fitting



NOTES:

- THIS IS A PRO/ENGINEER PARAMETRIC DRAWING. ANY CHANGES MUST BE WITHIN PRO/INTRALINK.
- REMOVE ALL BURRS AND SHARP EDGES.

REV	BY	DATE	DESCRIPTION
0.3	VP	03.06.19	Updated drawings.

Art.no.: M5930044050
Material: -

Duct 4pc MNF TG-6105			
Designed:	D.Cini	13.09.18	FIRST ANGLE PROJECTION
Drawn:	D.Cini	24.01.2017	SHEET SCALE
Checked:	G. Zammit	Approved: G. Zammit	1 of 1 0.750
44050			ISSUE SIZE
			0.3 A2

44050	DRAWING	0.3	Work In Progress
TG6105-DUCT-4PC-MNF	ASSEM	0.0	Work In Progress
PRO/FILENAME	FILE TYPE	REV	RELEASE

