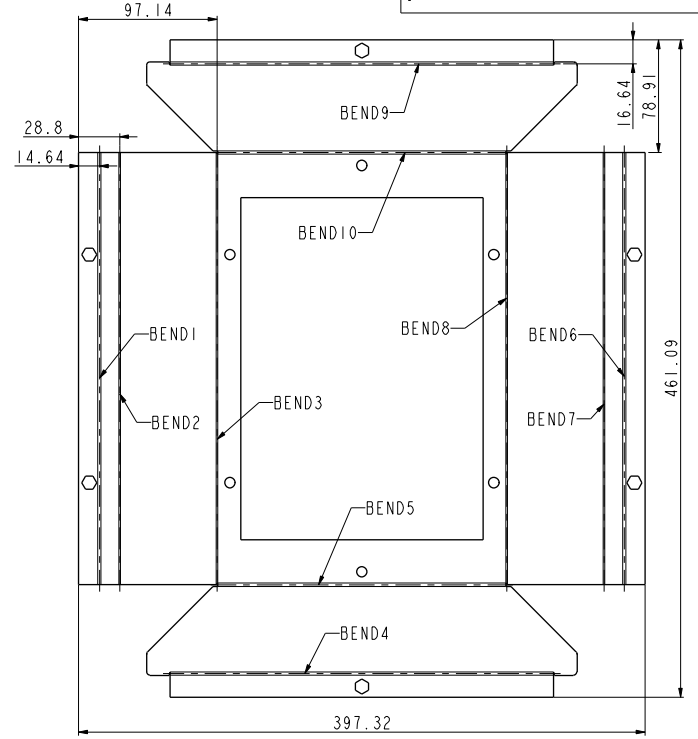
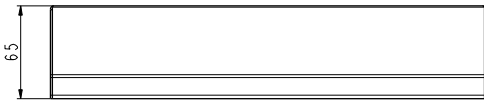
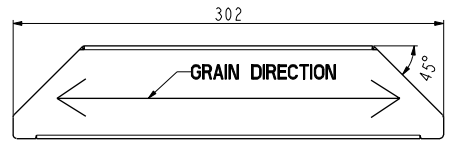
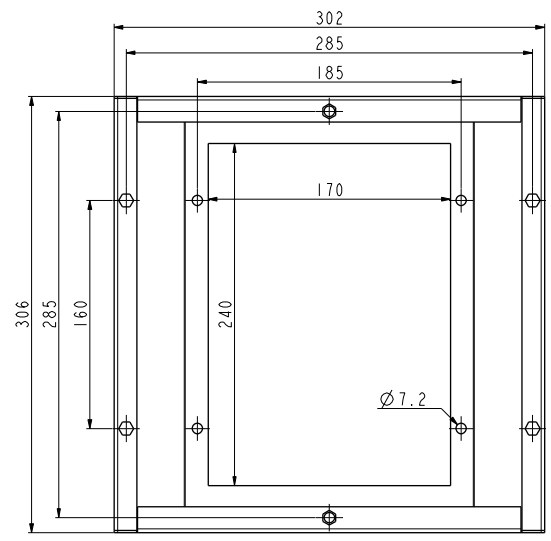


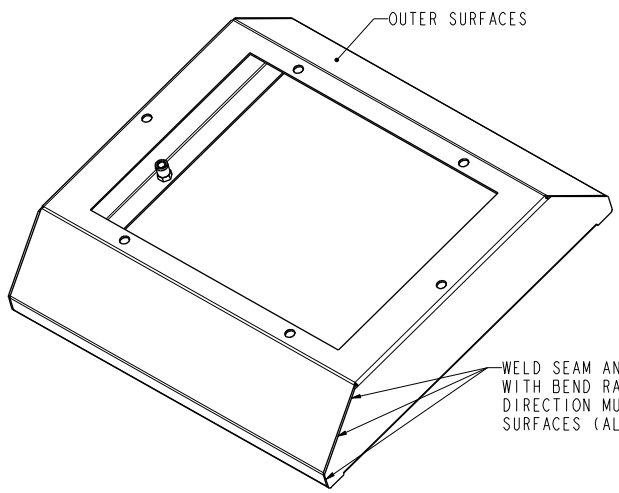
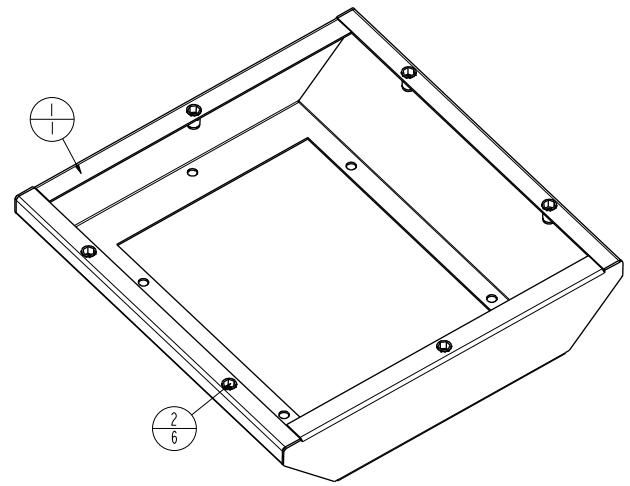
18529 1.0 / 1 of 1			
ISS	DESIGNER	DRAWN BY	ISS. DATE
-	-	-	-

OUTER SURFACE FINISH:
GRAIN DIRECTION MUST BE MAINTAINED AFTER FINAL BUFFING,
NO VISUAL CROSS-GRAIN AND MARKS ARE ALLOWED.

- NOTES:
1. UNLESS OTHERWISE SPECIFIED, DIMENSIONS ARE IN MM. DIMENSIONS W/O TOLERANCES DIN ISO 2768-mK AS FOLLOWS. SURFACES DIN ISO 1302. TOLERANCES ARE NOT CUMULATIVE.
 2. THIS IS A PRO/ENGINEER PARAMETRIC DRAWING. ANY CHANGES MUST BE MADE WITHIN PRO/INTRALINK.
 3. REMOVE ALL BURRS AND SHARP EDGES.



BEND SEQ	#BENDS	BEND#	BEND DIRECTION	BEND ANGLE	BEND RADIUS	BEND LENGTH
1			OUT	90.000	2.500	2.273
2			OUT	45.000	2.500	1.136
3			OUT	45.000	2.500	1.136
4			OUT	90.000	2.500	2.273
5			OUT	90.000	2.500	2.273
6			OUT	90.000	2.500	2.273
7			OUT	45.000	2.500	1.136
8			OUT	45.000	2.500	1.136
9			OUT	90.000	2.500	2.273
10			OUT	90.000	2.500	2.273



WELD SEAM AND GRIND TO BLEND WITH BEND RADIUS, GRAIN DIRECTION MUST MATCH OTHER SURFACES (ALL 4 CORNERS)

Description	Art.no.	Qty.
Duct 100W Version	M5930018529	1
Popnut M6 Hexagon Open A2	510069835	6

Designed by: A.Camilleri	Date: 20.11.2012
Drawn by: A.Camilleri	Date: 20.11.2012
Checked by: -	Approved by: -

Art.no.: M5930018529
Material: Stainless Steel, 1.5
Duct 100W Version TG-3102

WE RESERVE ALL COPYRIGHT AND OTHER RIGHTS IN THIS DOCUMENT SEIFERT MTM SYSTEMS (MALTA) LTD.			SCALE 0.400
18529	SHEET 1 of 1	ISSUE 1.0	SIZE A2

18529	DRAWING	1.0	WIP
TG3102_DUCT	PART	1.4+	WIP
PRO/E FILENAME	FILE TYPE	REV	RELEASE

