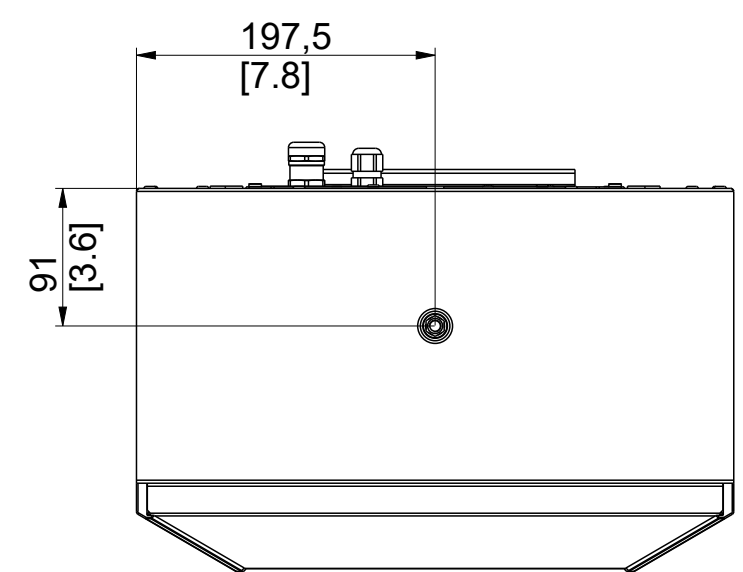
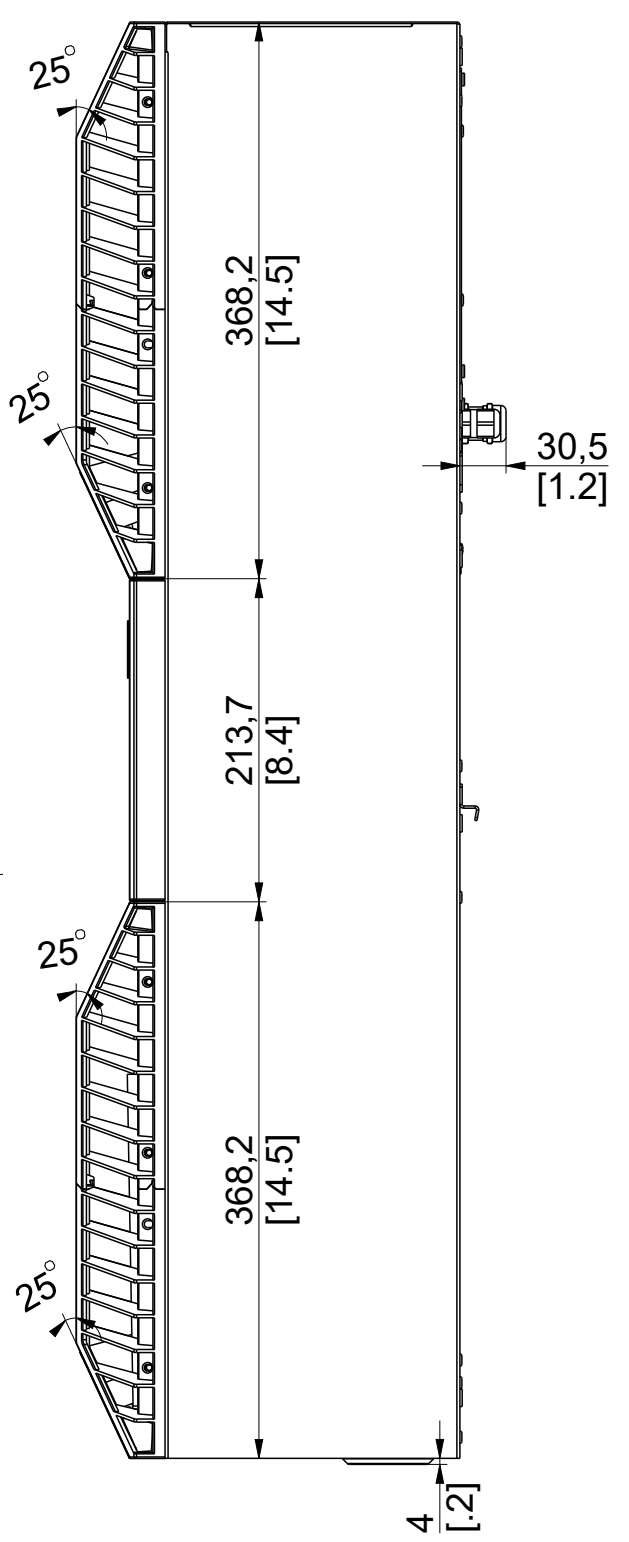
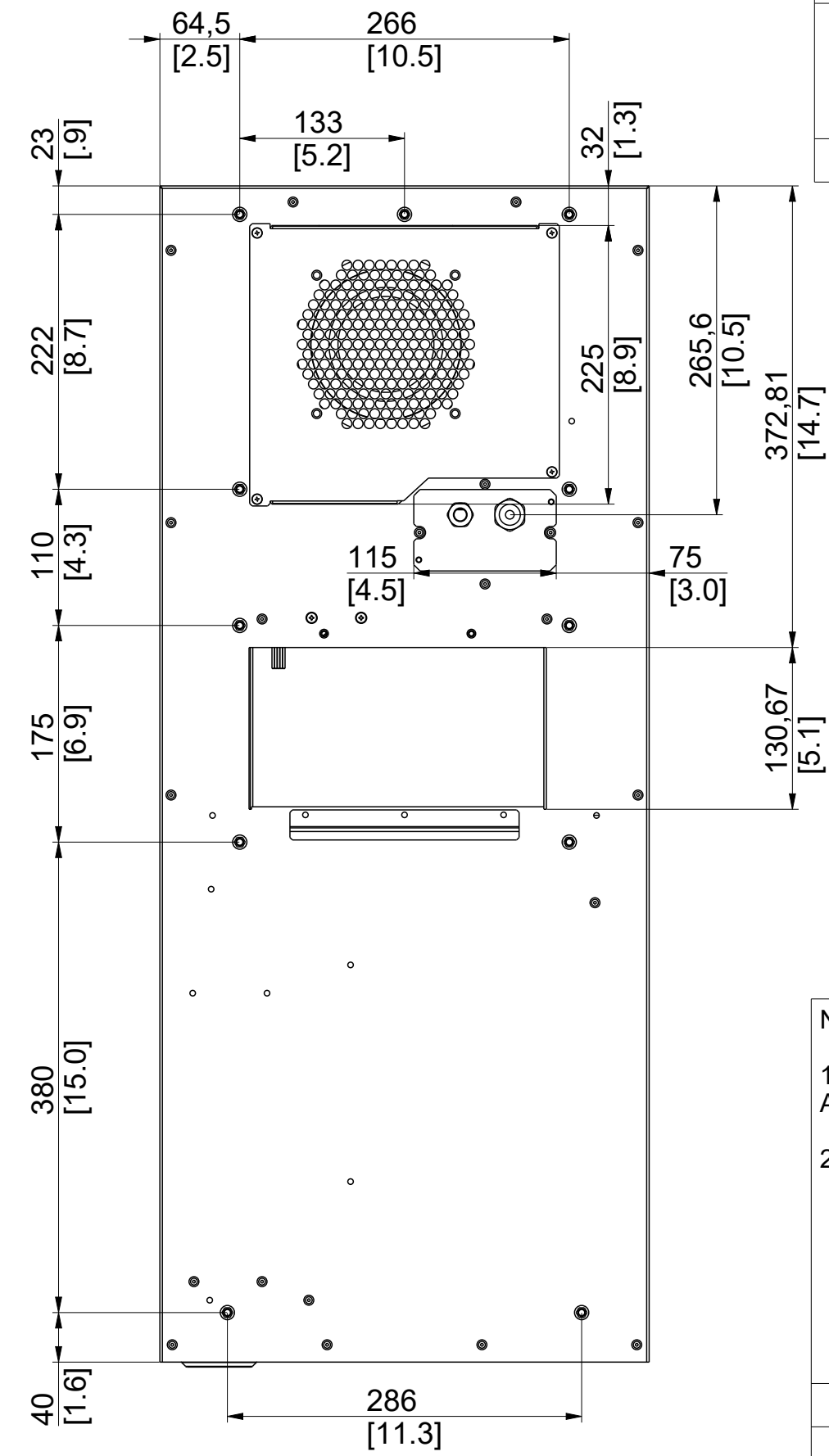
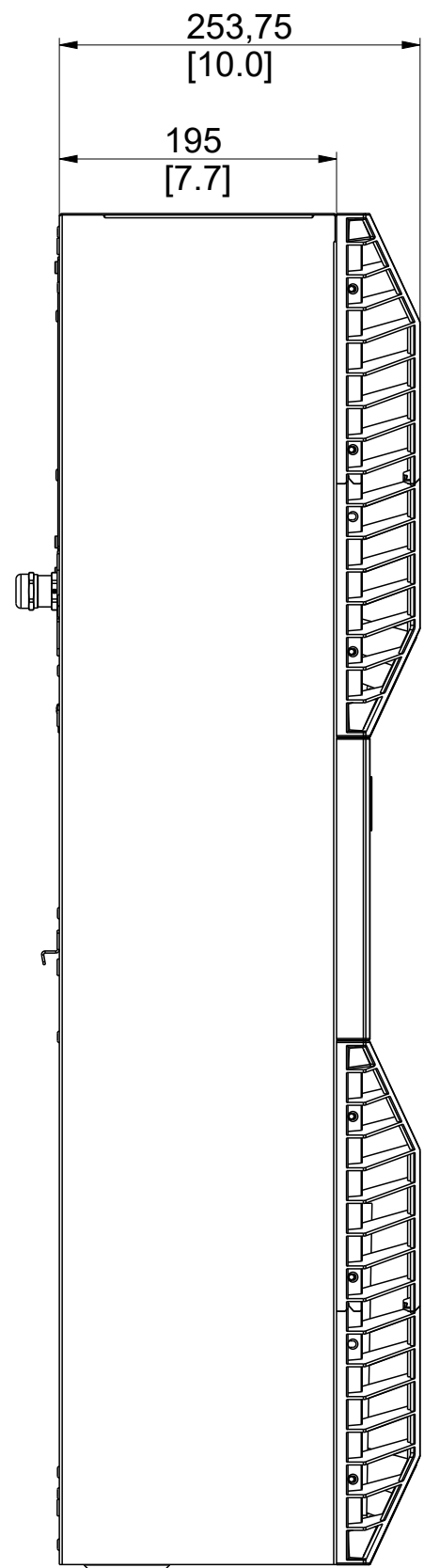
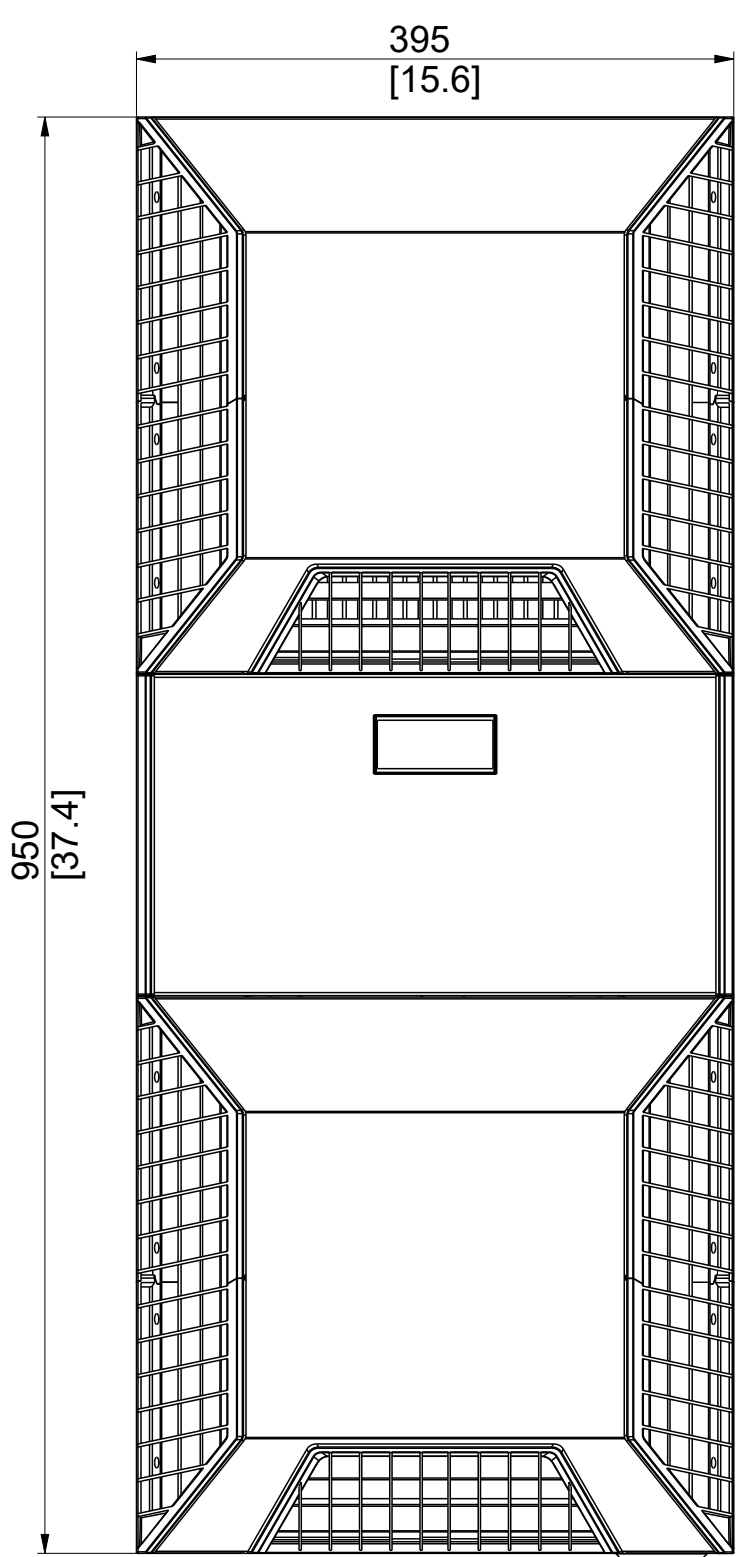
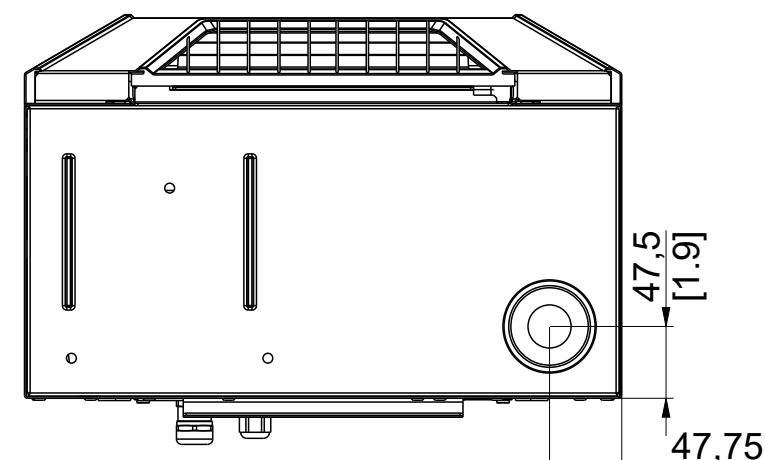


UNLESS OTHERWISE SPECIFIED, DIMENSIONS ARE IN MM. DIMENSIONS W/O TOLERANCES ISO2768-mK AS FOLLOWS. SURFACES ISO1302. TOLERANCES ARE NOT CUMULATIVE.

LINEAR DIMENSIONS							
0.5 to 3	>3 to 6	>6 to 30	>30 to 120	>120 to 400	>400 to 1000	>1000 to 2000	>2000 to 4000
±0.1	±0.1	±0.2	±0.3	±0.5	±0.8	±1.2	±2

ANGULAR DIMENSIONS					BEND DIRECTION	
to 10	>10 to 50	>50 to 120	>120 to 400	>400	↗ ↖	BEND OUT
±1°	±0°30'	±0°20'	±0°10'	±0°5'	↘ ↙	BEND IN



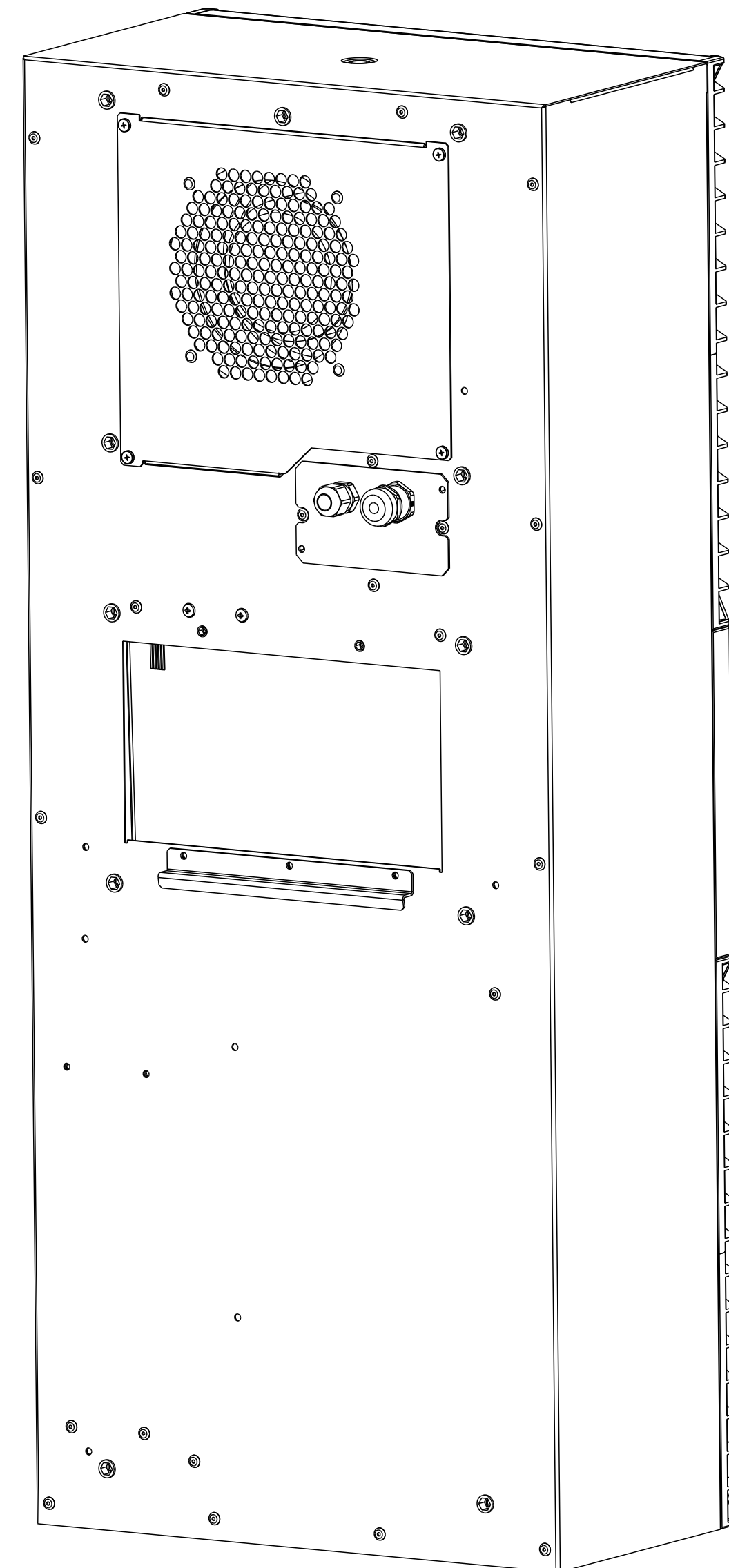
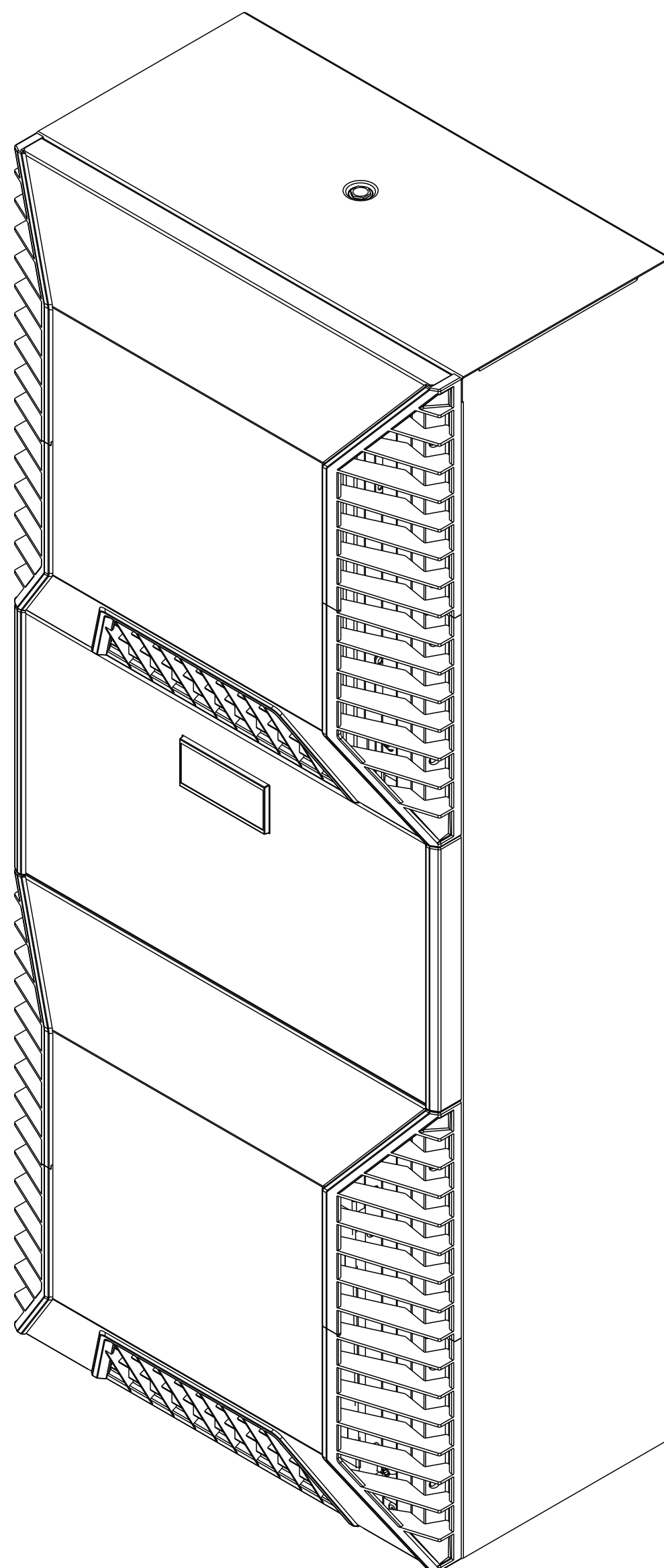
NOTES:
 1. THIS IS A PRO/ENGINEER PARAMETRIC DRAWING. ANY CHANGES MUST BE WITHIN PRO/INTRALINK.
 2. REMOVE ALL BURRS AND SHARP EDGES.

REV	BY	DATE	DESCRIPTION

Art.no.:	M5930046393		
Material:	-		
Air-conditioning Unit 1500W KG-8412			
Designed:	G.Zammit	25.08.2016	FIRST ANGLE PROJECTION
Drawn:	B.Galea	28.05.2019	SHEET SCALE
Checked:	G.Zammit	Approved: G.Zammit	1 of 2 0.200
46393			ISSUE SIZE
			1.0 A2

46393	DRAWING	1.0	Work In Progress
KG8412_COMPLETE	ASSEM	0.7	Work In Progress
PRO/E_FILENAME	FILE TYPE	REV	RELEASE





Art.no.:		M5930046393	
Material:		-	
Air-conditioning Unit 1500W KG-8412			
SHEET	SCALE	SIZE	FIRST ANGLE PROJECTION
2 of 2	0.300	A2	
46393			

46393	DRAWING	1. Work In Progress
KG8412_COMPLETE	ASSEM	0. Work In Progress
PRO/E FILENAME	FILE TYPE	REV RELEASE

