

FL-51xx Specifications

Art no:	Voltage (VAC)	Frequency (Hz)	Current (A)		Power (W)		Maximum AirFlow (CFM) ASSEMBLY		Maximum AirFlow (CFM) FAN ONLY		Noise level (dB/A)		Operating temperature (°C) [°F]	Weight (g) [lbs]
			50Hz	60 Hz	50Hz	60 Hz	50Hz	60 Hz	50Hz	60 Hz	50Hz	60 Hz		
FL-5131	115v	50/60Hz	0.26	0.24	22	20	74	85	97	117	45	50	-10 [14] to 70 [158]	1373 [3.03]
FL-5141	230v	50/60Hz	0.14	0.12	22	21	74	85	97	117	45	50	-10 [14] to 70 [158]	1373 [3.03]

43776 0.2 / 1 of 2

UNLESS OTHERWISE SPECIFIED, DIMENSIONS ARE IN MM. DIMENSIONS W/O TOLERANCES ISO2768-mK AS FOLLOWS. SURFACES ISO1302. TOLERANCES ARE NOT CUMULATIVE.

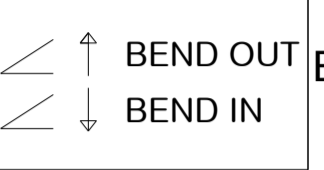
LINEAR DIMENSIONS

0.5 to 3	>3 to 6	>6 to 30	>30 to 120	>120 to 400	>400 to 1000	>1000 to 2000	>2000 to 4000
±0.1	±0.1	±0.2	±0.3	±0.5	±0.8	±1.2	±2

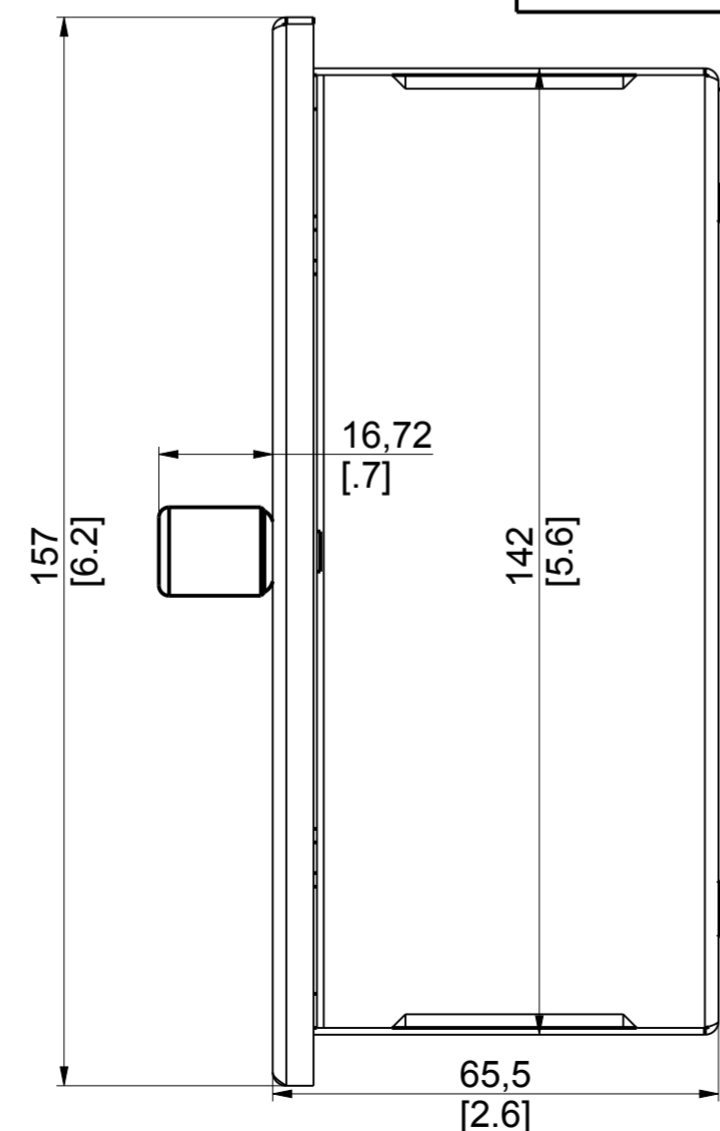
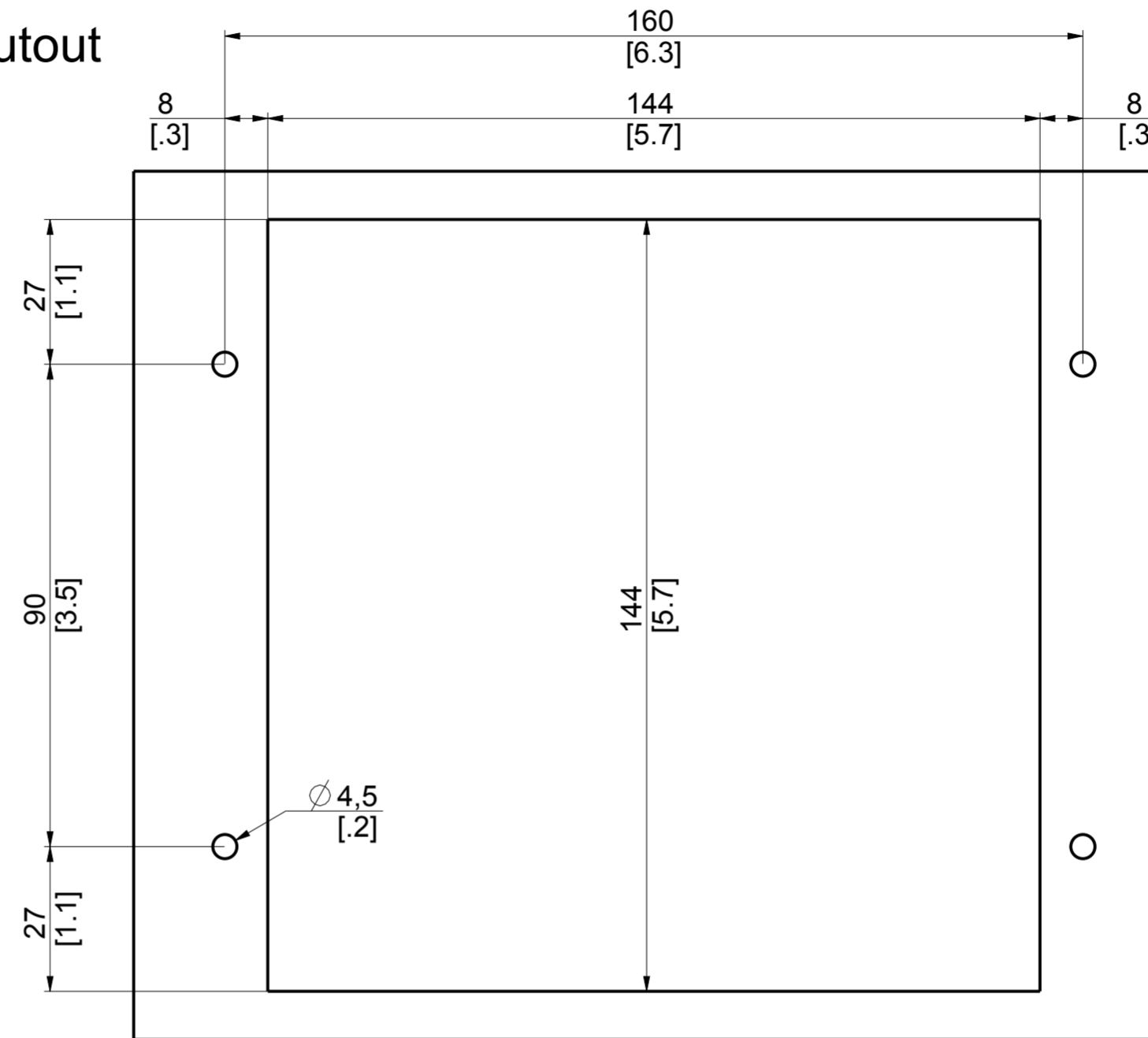
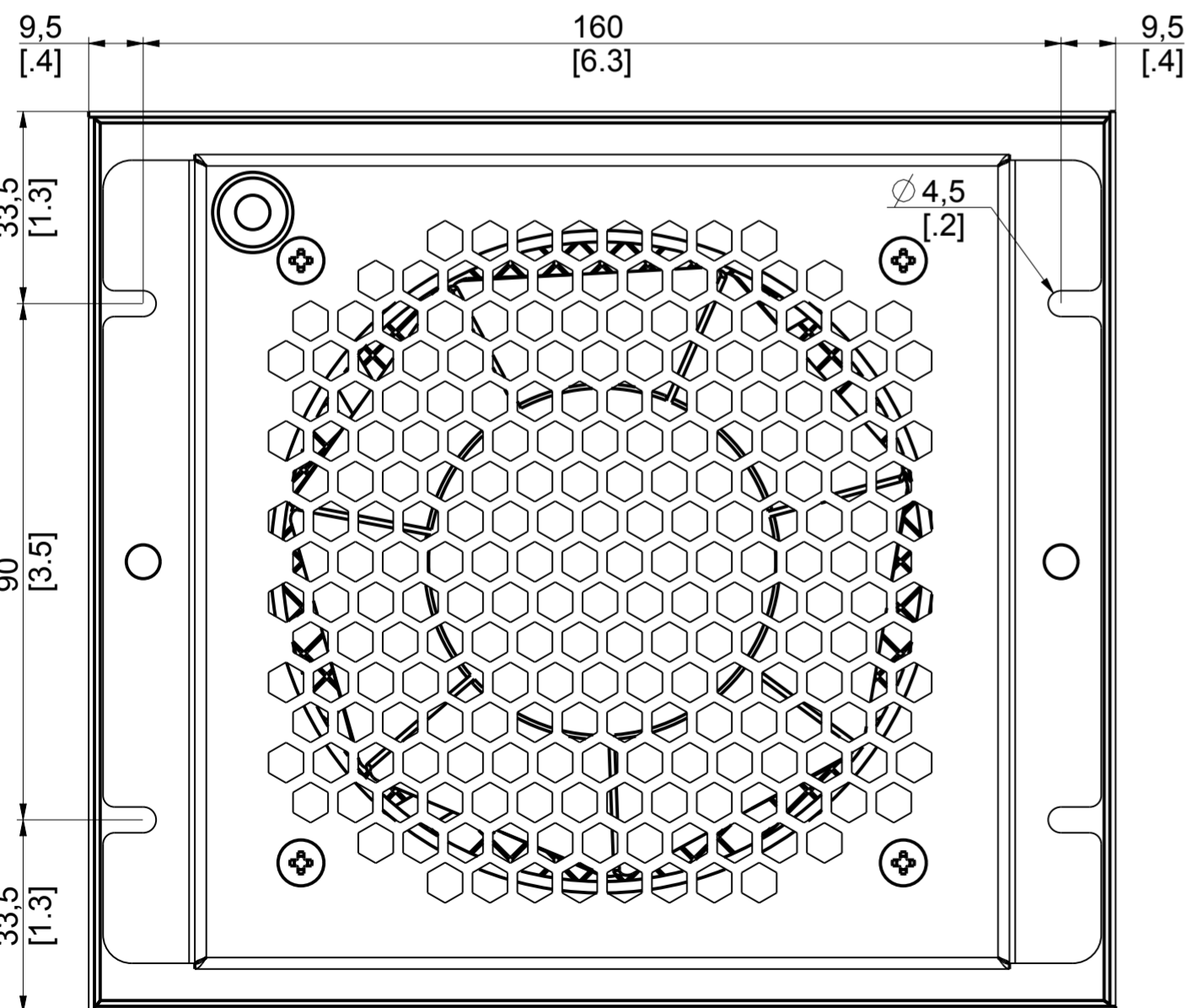
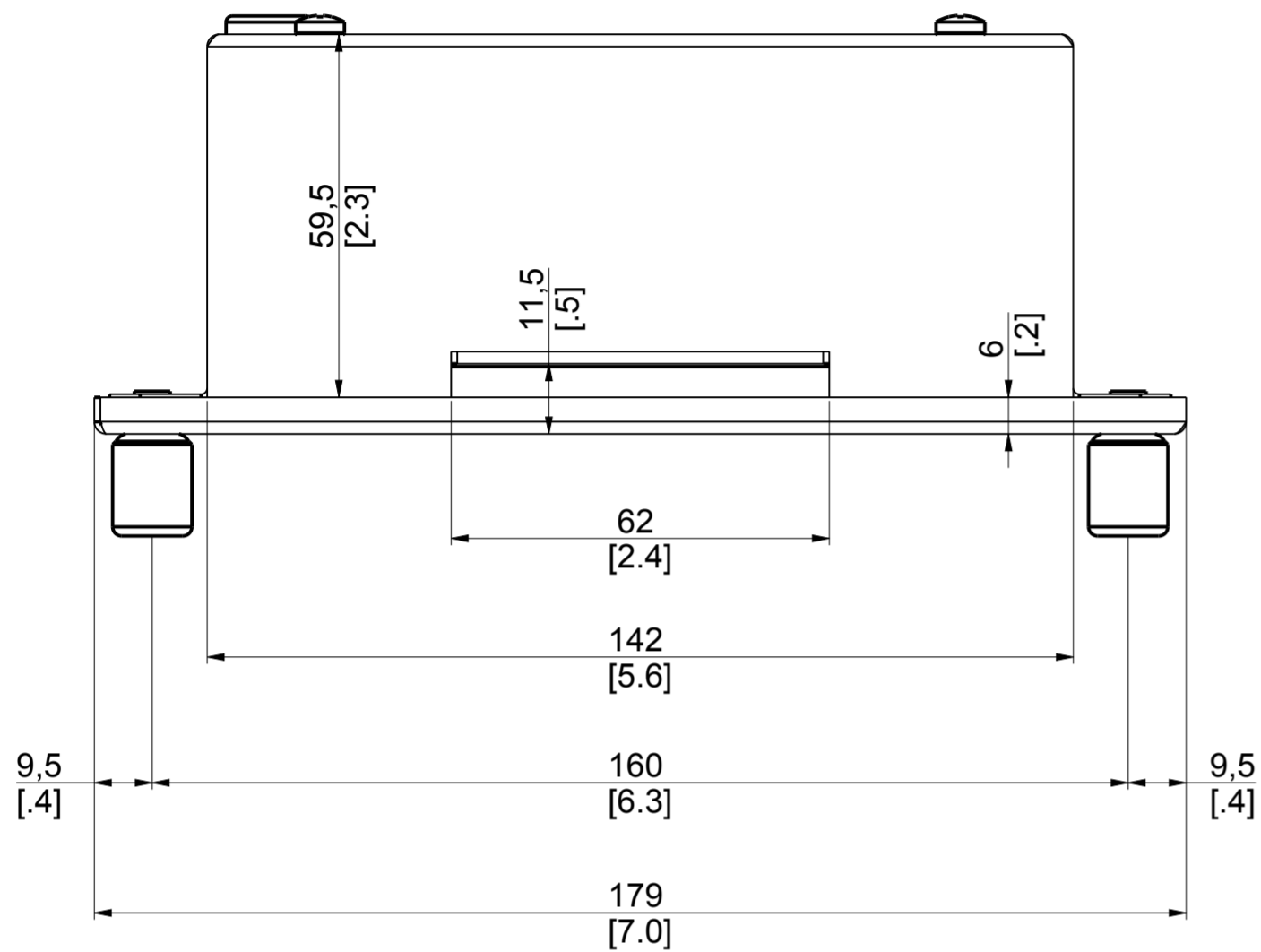
ANGULAR DIMENSIONS

to 10	>10 to 50	>50 to 120	>120 to 400	>400
±1°	±0°30'	±0°20'	±0°10'	±0°5'

BEND DIRECTION



Mounting Cutout



NOTES:

- THIS IS A PRO/ENGINEER PARAMETRIC DRAWING. ANY CHANGES MUST BE WITHIN PRO/INTRALINK.
- REMOVE ALL BURRS AND SHARP EDGES.

REV	BY	DATE	DESCRIPTION
0.2	DS	26.09.17	Modified views
0.1	DS	16.11.16	Added mounting cutout and created sheet 2

Art.no.:	M5930043776
Material:	-

FL-51xx Complete FL-51xx

Designed:	D.Schembri	25.10.2016	FIRST ANGLE PROJECTION	SCALE
Drawn:	D.Schembri	01.11.2016	SHEET	1 of 2
Checked:	-	Approved:	-	0.900
43776				ISSUE
				SIZE
				0.2
				A2

43776	DRAWING	0.2	Work In Progress
FL-51XX_COMPLETE	ASSEM	0.6	Work In Progress
PROE_FILENAME	FILE TYPE	REV	RELEASE



Electrical connections outlet

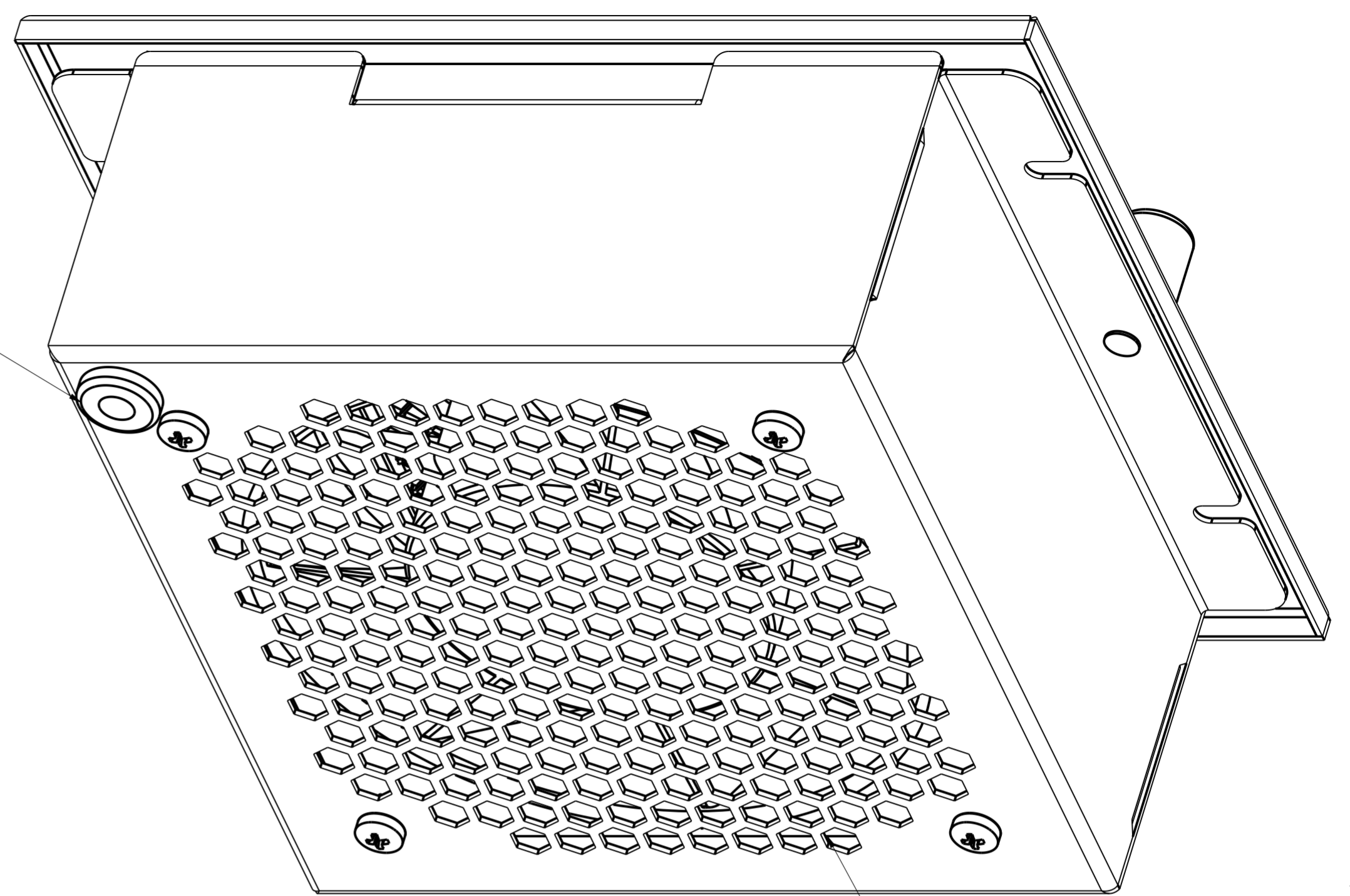
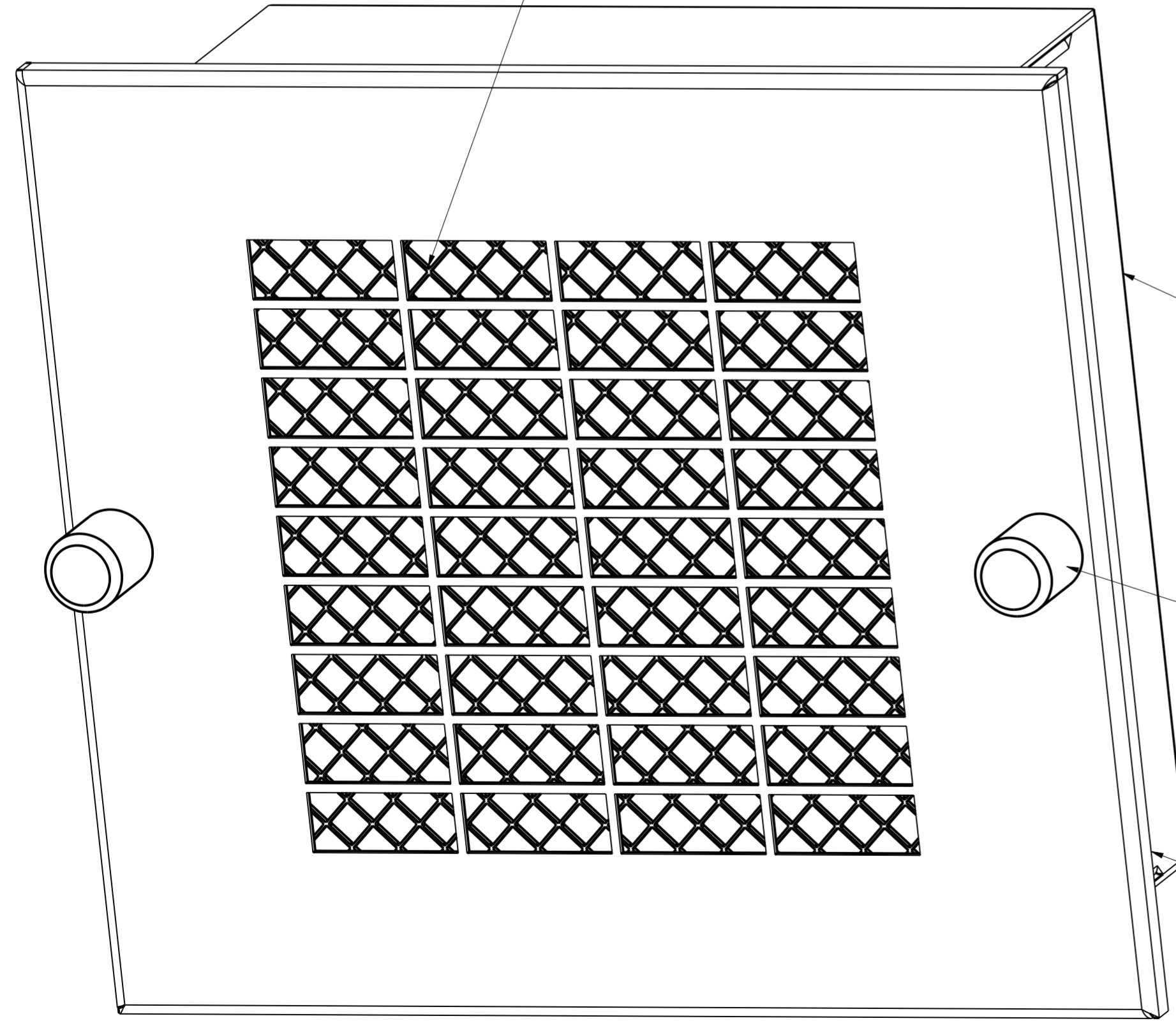
Filter mesh

Carbon steel housing powder coated with ANSI-61 gray urethane polyester

Fan

Captive nuts

Stainless steel grille



Art.no.:	M5930043776		
Material:	-		
FL-51xx Complete FL-51xx			
SHEET	SCALE	SIZE	FIRST ANGLE PROJECTION
2 of 2	1.300	A2	
43776			



43776	DRAWING	0.2	Work In Progress
FL-51XX_COMPLETE	ASSEM	0.6	Work In Progress
PRO/E FILENAME	FILE TYPE	REV	RELEASE
		6	