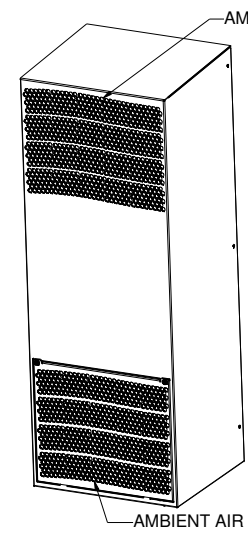
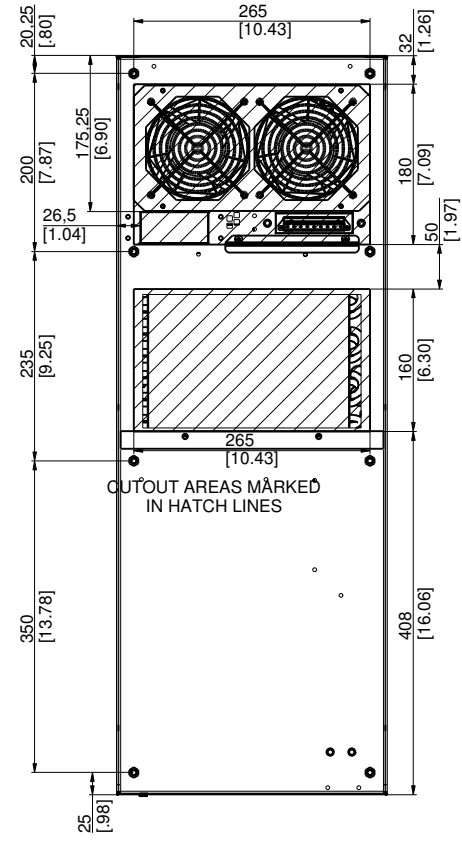
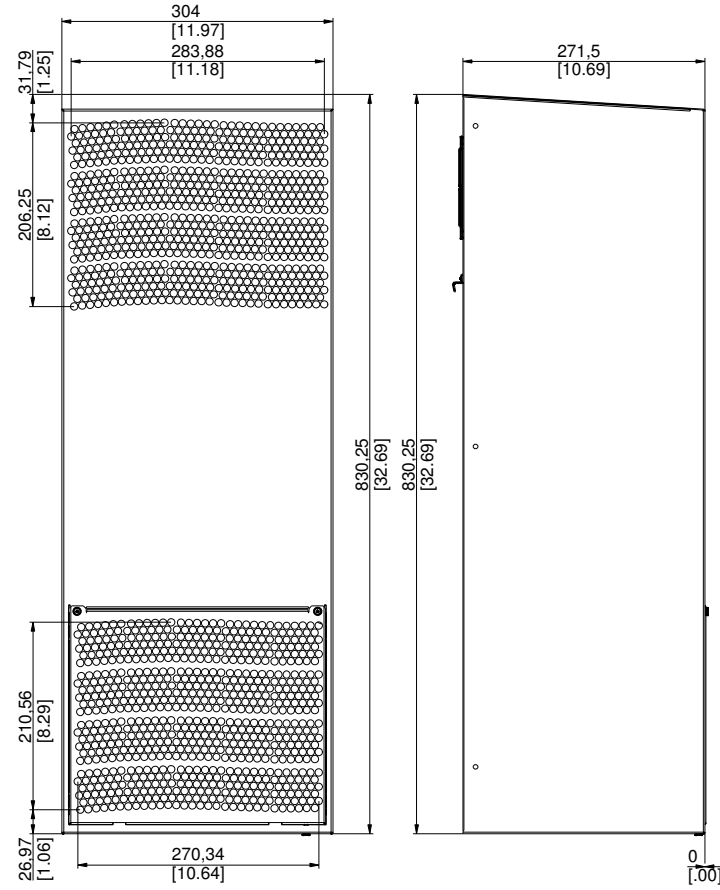
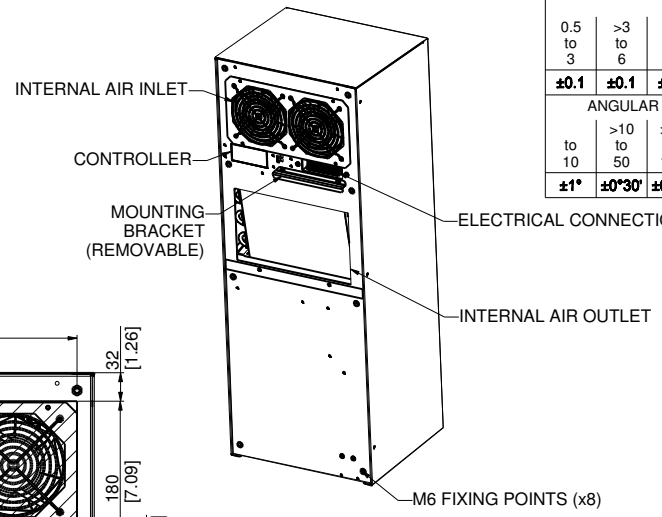
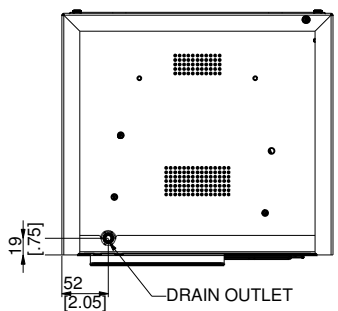


UNLESS OTHERWISE SPECIFIED, DIMENSIONS ARE IN MM. DIMENSIONS W/O TOLERANCES ISO2768-mK AS FOLLOWS. SURFACES ISO1302. TOLERANCES ARE NOT CUMULATIVE.

| LINEAR DIMENSIONS  |           |            |             |             |                |               |               |
|--------------------|-----------|------------|-------------|-------------|----------------|---------------|---------------|
| 0.5 to 3           | >3 to 6   | >6 to 30   | >30 to 120  | >120 to 400 | >400 to 1000   | >1000 to 2000 | >2000 to 4000 |
| ±0.1               | ±0.1      | ±0.2       | ±0.3        | ±0.5        | ±0.8           | ±1.2          | ±2            |
| ANGULAR DIMENSIONS |           |            |             |             | BEND DIRECTION |               |               |
| to 10              | >10 to 50 | >50 to 120 | >120 to 400 | >400        | ↙ ↑ BEND OUT   | ↘ ↓ BEND IN   |               |
| ±1°                | ±0°30'    | ±0°20'     | ±0°10'      | ±0°5'       |                |               |               |



- NOTES:
1. THIS IS A PRO/ENGINEER PARAMETRIC DRAWING. ANY CHANGES MUST BE WITHIN PRO/INTRALINK.
  2. REMOVE ALL BURRS AND SHARP EDGES.

| REV | BY | DATE     | DESCRIPTION                |
|-----|----|----------|----------------------------|
| 1.8 | DC | 13.05.19 | Changed controller         |
| 1.7 | GZ | 08.06.15 | Added dual dimensions      |
| 1.4 | GZ | 02.04.15 | Updated drawing            |
| 1.3 | GZ | 10.10.14 | Updated part number        |
| 1.2 | GZ | 23.09.14 | Changed ambient inlet grid |
| 1.1 | GZ | 11.09.14 | Updated drawing            |

|           |              |
|-----------|--------------|
| Art.no.:  | 5705/8/9 XXX |
| Material: | -            |

|               |          |            |                        |             |       |
|---------------|----------|------------|------------------------|-------------|-------|
| Complete unit |          |            |                        | OC-5705/8/9 |       |
| Designed:     | G.Zammit | 25.07.2014 | FIRST ANGLE PROJECTION | SCALE       |       |
| Drawn:        | G.Zammit | 01.08.2014 | SHEET                  | 1 of 1      |       |
| Checked:      | K.Zammit | Approved:  | K.Zammit               | ISSUE       | 0.250 |
| 40950         |          |            |                        | 1.8         | A2    |

|                              |           |                     |
|------------------------------|-----------|---------------------|
| 40950                        | DRAWING   | 1. Work In Progress |
| OC5705_8_9_COMPLETE_ASSEMBLY | ASSEM     | 1. Work In Progress |
| PRO/E FILENAME               | FILE TYPE | REV RELEASE         |

