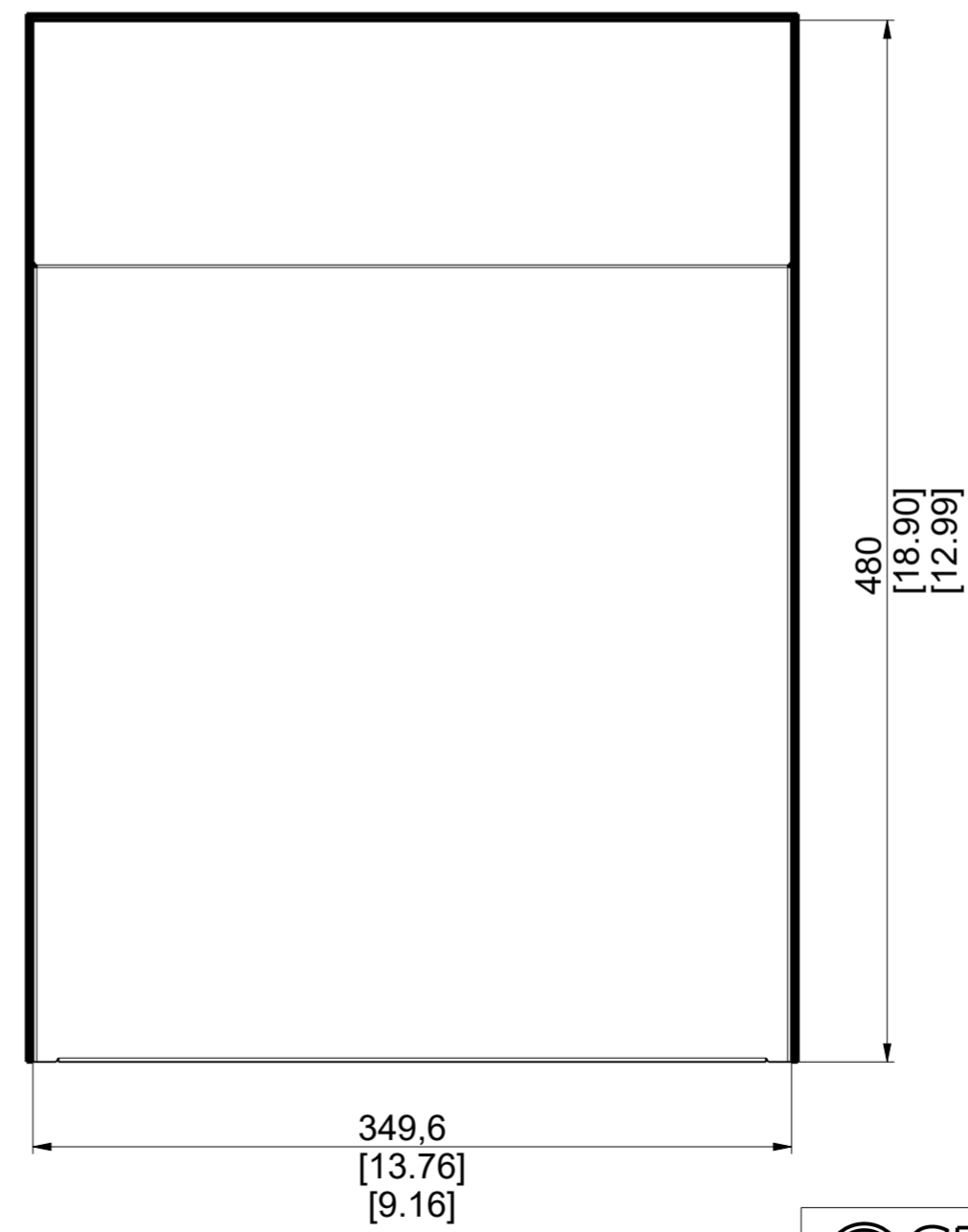
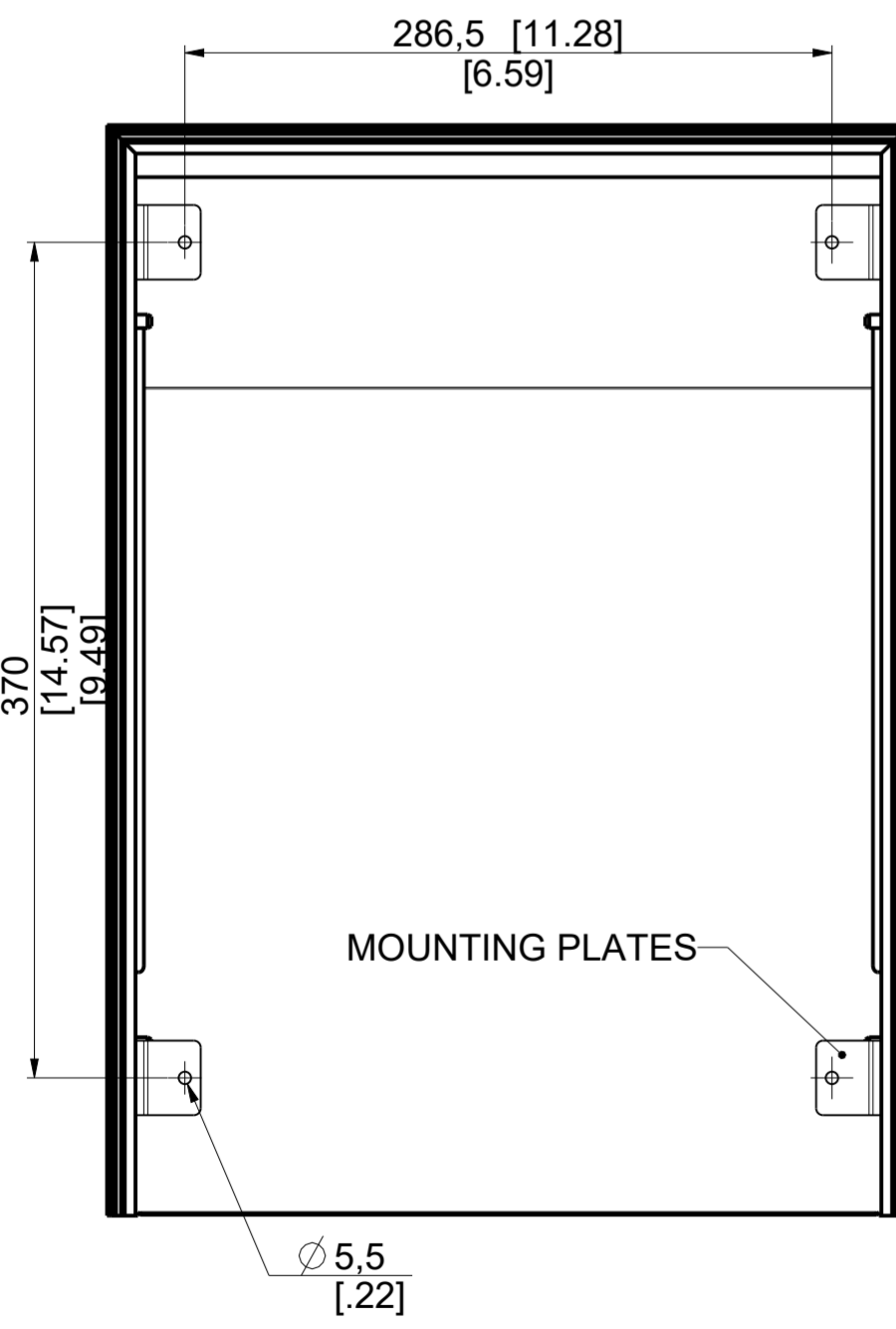
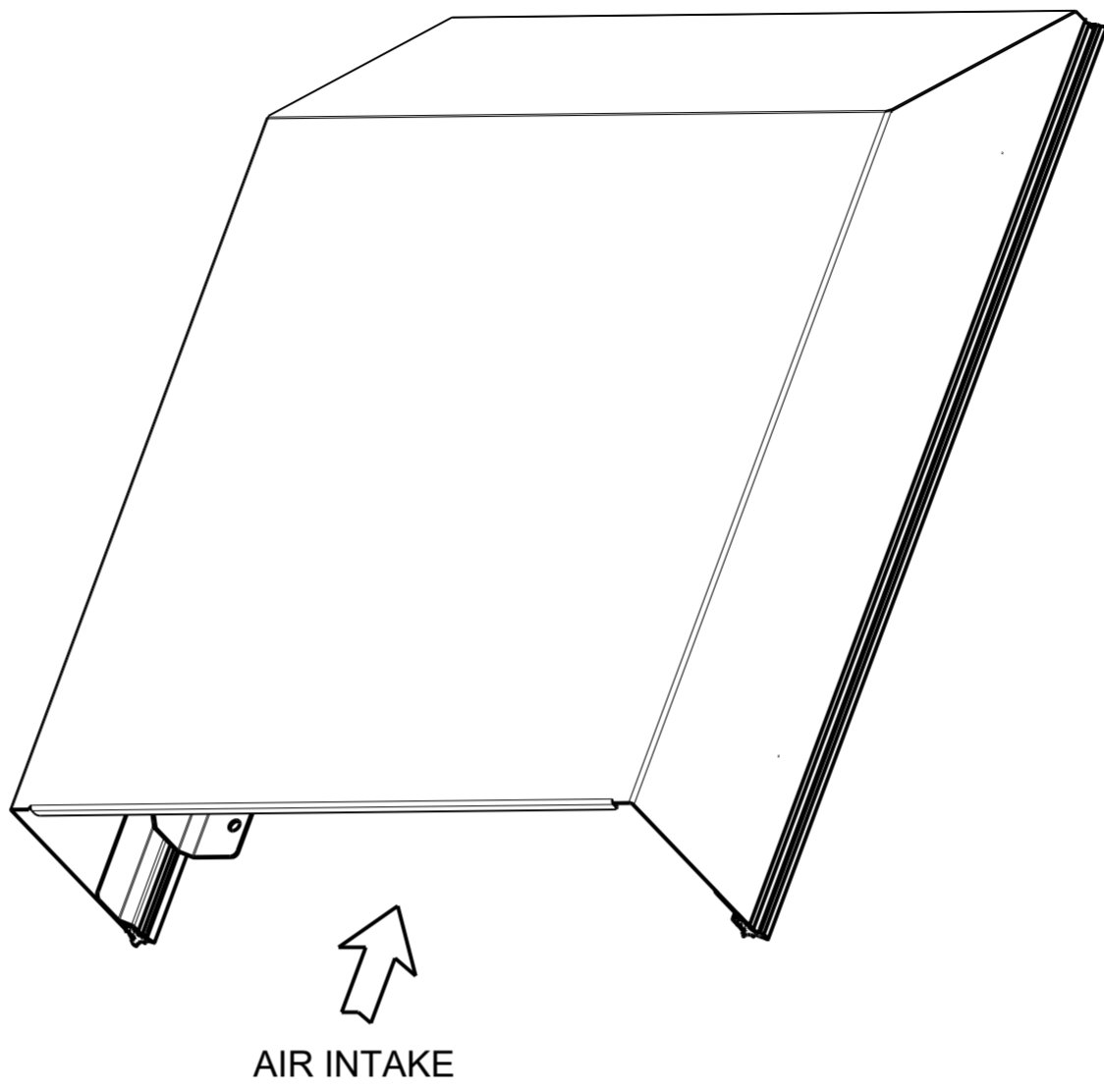
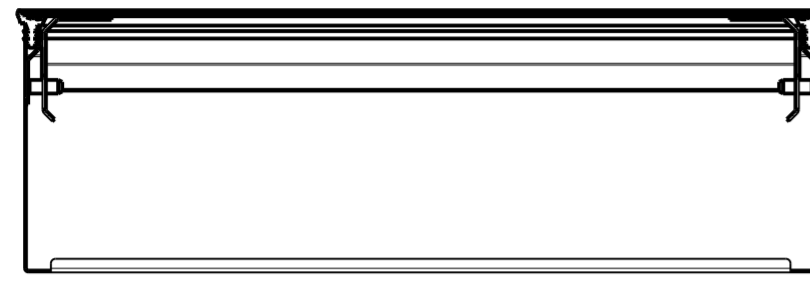


UNLESS OTHERWISE SPECIFIED, DIMENSIONS ARE IN MM. DIMENSIONS W/O TOLERANCES ISO2768-mK AS FOLLOWS. SURFACES ISO1302. TOLERANCES ARE NOT CUMULATIVE.

LINEAR DIMENSIONS							
0.5 to 3	>3 to 6	>6 to 30	>30 to 120	>120 to 400	>400 to 1000	>1000 to 2000	>2000 to 4000
±0.1	±0.1	±0.2	±0.3	±0.5	±0.8	±1.2	±2

ANGULAR DIMENSIONS					BEND DIRECTION	
to 10	>10 to 50	>50 to 120	>120 to 400	>400	↖ ↗	BEND OUT
±1°	±0°30'	±0°20'	±0°10'	±0°5'	↙ ↘	BEND IN



- NOTES:
- THIS IS A PRO/ENGINEER PARAMETRIC DRAWING. ANY CHANGES MUST BE WITHIN PRO/INTRALINK.
 - REMOVE ALL BURRS AND SHARP EDGES.
 - DIMS [X.XX] ARE IN INCHES.

REV	BY	DATE	DESCRIPTION
1.1	A.C.	10.09.18	Removed side holes
1.2	A.C.	26.10.20	2H: Mounting hole diameter \varnothing 5.5 was \varnothing 6.5

Art.no.: M5930044998
Material: -

Designed: A.Camilleri 27.06.2018		FIRST ANGLE PROJECTION	Hood	
Drawn: A.Camilleri 02.02.2018		SHEET	FC-4000 NEMA Hood	
Checked: -	Approved: -	1 of 1	SCALE	
44999		ISSUE	0.300	
		1.2	SIZE	A2

44999	DRAWING	1.2	Work In Progress
FC4000_400_2018	ASSEM	0.14	Work In Progress
PRO/E_FILENAME	FILE TYPE	REV	RELEASE

