

Filter Fan



Description

Order Number:	4010A4100
Brand Name:	SOLIFLEX
Colour:	RAL 7035
Housing Material:	ABS Plastic
IP protection class to EN 60 529:	IP 54, Type 12, 3R
Note:	Reverse air flow
Optional:	Different housing colors available on request
Approvals:	CE, cURus, cULus, CSA

Accessories:



Hose-proof protection hood FC 4000 000



Hose-proof protection hood FC 4000 000 FDA



Adjustable Thermostat NO



Filter media

Technical Data

Air flow unimpeded IP 54:	16 m ³ /h - 21 m ³ /h
Operating Temperature Range:	-10°C - +55°C
Static pressure:	45 Pa @ 50 Hz 64 Pa @ 60 Hz
Dimensions A x B x C (D+E):	106.5 x 106.5 x 66.6 mm
Weight:	0.39 kg
Cut out dimensions:	92.5 +0.5 x 92.5 +0.5 mm
Voltage / Frequency:	230 V ~ 50/60 Hz
Rated current:	0.06 A / 0.05 A
Power consumption:	10 W / 8 W
Degree of separation IP 54:	85% - DIN 24185
Wall thickness:	1 - 2 mm
Filter class (ISO 16890):	G3 according to EN 779
Installation:	Elastic clips
Noise level:	31 dB(A) @ 50 Hz 33 dB(A) @ 60 Hz

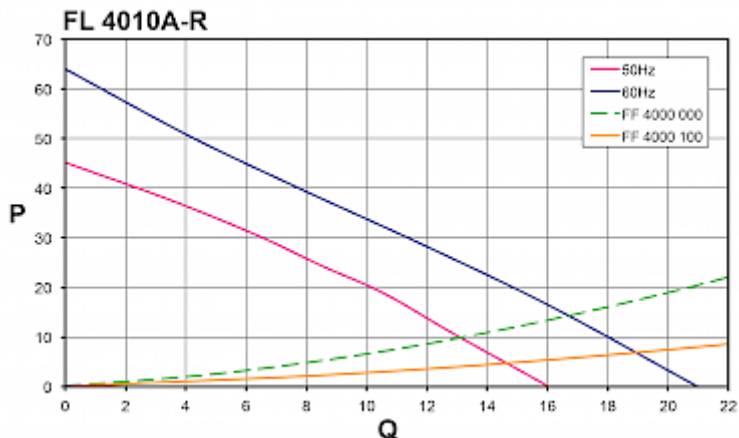
Please click on the graphics to download.

More CAD drawings can be found under [Product Download](#).

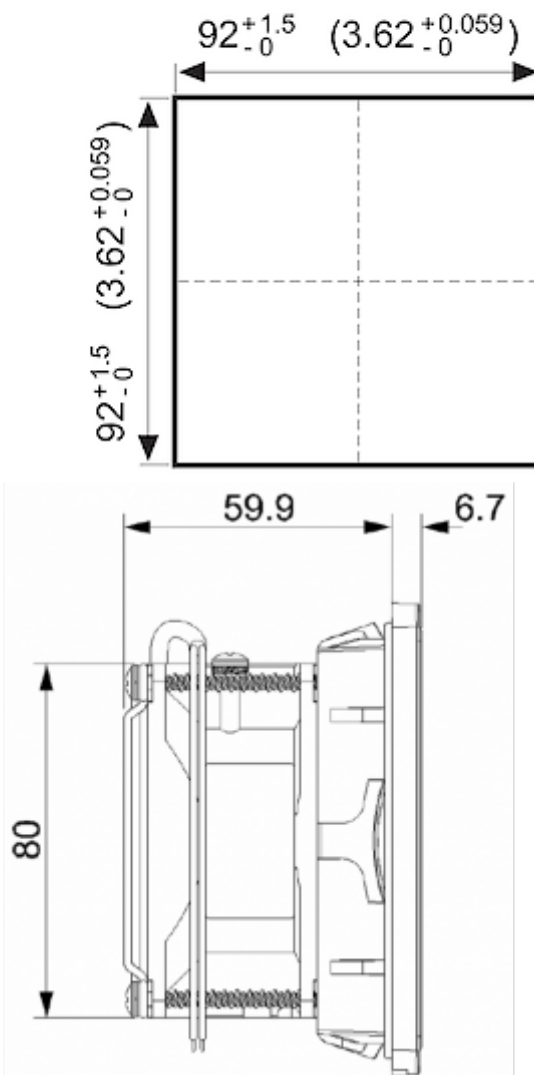
> [Overview Product Group SOLIFLEX - Filter fans & exhaust filters](#)

Air flow:

Q = Air flow [m³/h]
 P = Static pressure [Pa]



click image to enlarge

Cut Out Dimension:


click image to enlarge

Order Information

In RAL 9005	4010A4103
Taric code	84145915
GTIN (EAN)	5350604100121