

Table of Content 4410886

| | |
|---|----|
| 1. User manual | 2 |
| 2. Legal regulations | 3 |
| 3. Safety instructions | 4 |
| 4. Application | 5 |
| 5. Functional principle | 6 |
| 6. Technical data | 7 |
| 7. Performance graph | 8 |
| 8. Mounting | 9 |
| 9. Cut Out Dimension | 10 |
| 10. Dimension (H x W x D) | 11 |
| 11. Electrical Connection | 12 |
| 12. Controller Layout Description | 13 |
| 13. Wiring Diagram | 14 |
| 14. Taking into Operation | 15 |
| 15. Trouble Shooting | 15 |
| 16. Maintenance & Cleaning | 16 |
| 17. Transport & Storage | 16 |
| 18. Parts supplied / Spare parts / Accessories | 17 |



1. User manual

This instruction manual contains information and instructions to enable the user to work safely, correctly and economically on the unit. Understanding and adhering to the manual can help one:

- Avoid any dangers.
- Reduce repair costs and stoppages.
- Extend and improve the reliability and working life of the unit.

PLEASE ENSURE TO USE THE RIGHT VERSION OF THE INSTRUCTION MANUAL SUITABLE FOR YOUR UNIT.

Intended use

The unit is to be used exclusively for the dissipation of heat from control cabinets and enclosures (stationary, not moving) in order to protect temperature sensitive components in an industrial environment. To meet the conditions of use, all the information and instructions in the instruction manual must be adhered to.



General danger

Indicates compulsory safety regulations which are not covered by a specific pictogram such as one of the following.



High electric voltage

Indicates electric shock danger.



Important safety instruction

Indicates instructions for safe maintenance and operation of the unit.



Attention

Indicates possible burns from hot components.



Attention

Indicates possible damage to the unit.



Instruction

Indicates possible danger to the environment.

2. Legal regulations

Liability

The information, data and instructions contained in this instruction manual are current at the time of going to press. We reserve the right to make technical changes to the unit in the course of its development. Therefore, no claims can be accepted for previously delivered units based on the information, diagrams or descriptions contained in this manual. No liability can be accepted for damage and production caused by:

- Disregarding the instruction manual
- Operating error
- Inappropriate work on or with the unit
- The use of non-specified spare parts and accessories
- Unauthorised modifications or changes to the unit by the user or his personnel

The supplier is only liable for errors and omissions as outlined in the guarantee conditions contained in the main contractual agreement. Claims for damages on any grounds are excluded.

3. Safety instructions

Upon delivery the unit is already meeting current technical standards and can therefore be safely taken into operation. Only authorised personnel is allowed to work on the unit. Unauthorised personnel must be prohibited from working on the unit. Operating personnel must inform their superiors immediately of any malfunction of the unit.

Please note that before starting to work on or with the unit, a procedure must be carried out inside the cabinet on which the unit is to be mounted.

Before commencing work inside the cabinet, the control cabinet manufacturer's instruction must be read with regards to:

- Safety instructions.
- Instructions on taking the cabinet out of operation.
- Instructions on the prevention of unauthorised cabinet reconnection.

The electric equipment meets the valid safety regulations. One can find dangerous voltages (above 50 V AC or above 100 V DC)

- Behind the control cabinet doors.
- On the power supply in the unit housing.

The unit has to be operated according to the type plate and the wiring diagram, and must be protected externally from overloading and electrical faults via suitable protective devices.



Danger through incorrect work on the unit

The unit can only be installed and maintained by technical competent and qualified personnel, using only supplied material according to the supplied instructions.



Danger from electrical voltage

Only specialised personnel are allowed to maintain and clean the unit. The personnel must ensure that for the duration of the maintenance and cleaning, the unit is disconnected from the electrical supply.



Attention

Damage to the unit through the use of inappropriate cleaning materials. Please do not use aggressive cleaning material.



Instruction

Damage to the environment through unauthorised disposal. All spare parts and associated material must be disposed according to the environmental laws.

4. Application

The cooling unit is intended to be used as a complementary accessory to larger industrial equipment. The unit is used where heat needs to be dissipated from electrical control cabinets or similar enclosures in order to protect heat sensitive components. *It is not intended for household use.*

The unit has two completely separate air circuits which ensure that the clean cabinet air does not come into contact with the ambient air which may well be dirty or polluted.

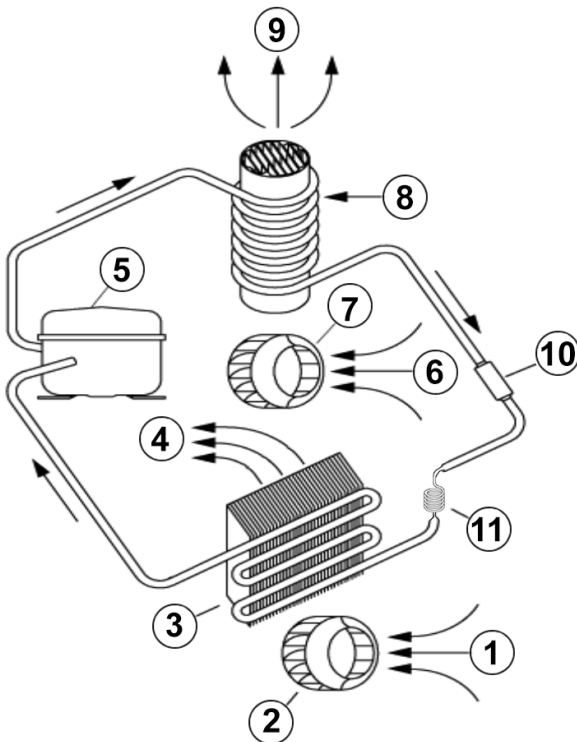
Enclosure cooling units can dissipate large quantities of heat from sealed enclosures such as electrical enclosures into the ambient air and at the same time reduce the cabinet internal temperature to below that of the ambient air. The unit can function without problems in extreme ambient conditions (e.g. dusty and oily air) with a standard operating temperature ranging between 20°C (68°F) and 50°C (122°F).

Units can be ordered with an additional electrical cabinet heater. For the cooling capacities and environmental ratings please refer to the type plate data.

5. Functional principle

The unit functions on the principle of the compression refrigerator. The main components are: refrigerant compressor, condenser, choke and evaporator. These four components of the refrigerant plant are connected with each other by pipes to form a hermetically sealed system in which the refrigerant (R134a) circulates. R134a is chlorine free and has an Ozone Destruction Potential [ODP] of 0 and a Global Warming Potential [GWP] of 1430.

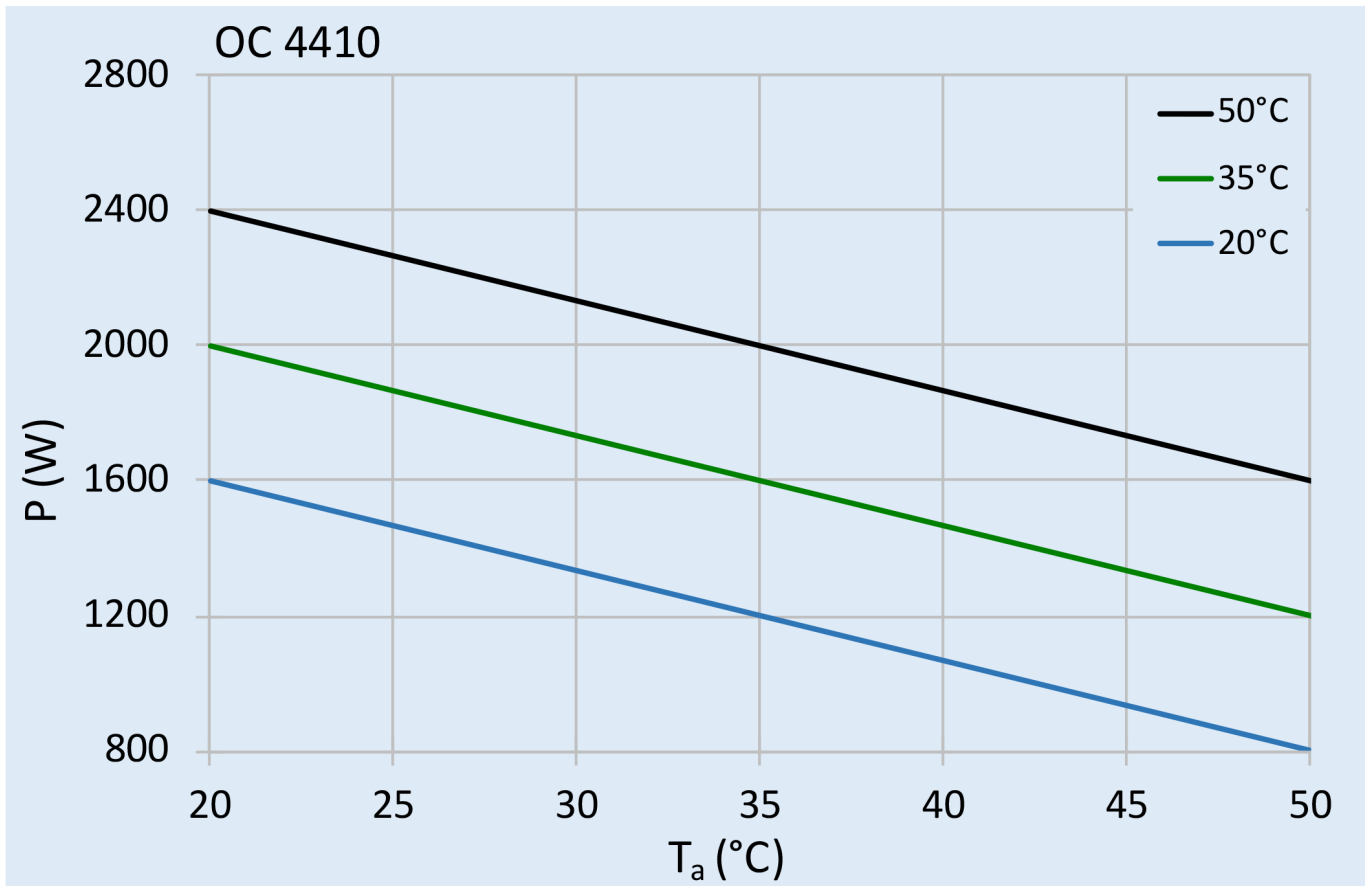
- | | |
|-----------------------------|-----------------------------|
| 1. Air intake, cabinet side | 7. Radial fan, ambient side |
| 2. Radial fan, cabinet side | 8. Condenser |
| 3. Evaporator | 9. Air outlet, ambient side |
| 4. Air outlet, cabinet side | 10. Filter dryer |
| 5. Compressor | 11. Capillary pipe |
| 6. Air intake, ambient side | |



6. Technical data

| | |
|---|---|
| Order Number | 4410886 |
| Cooling capacity L35L35 (EN14511-3) | 1600 W (L40L45) |
| Compressor type | Rotary piston compressor |
| Refrigerant / GWP | R134a / 1430 |
| Refrigerant charge | 750 g / 26.5 oz |
| High / low Pressure | 21 / 6 bar 305 / 88 psig |
| Operating Temperature Range | +20°C - +50°C |
| Air flow volume (system / unimpeded) | Ambient air circuit: 530 / 1200 m ³ /h Cabinet air circuit: 375 / 550 m ³ /h |
| Mounting | Standalone |
| Housing Material | Stainless steel AISI 304 (V2A) |
| Dimensions A x B x C (D+E) | 550 x 557 x 500 mm |
| Weight | 50 kg |
| Voltage / Frequency | 120 V ~ 60 Hz |
| Starting current | 37 A |
| Max. current | 9 A |
| Max. power | 1,100 W |
| Fuse | 16 A (T) |
| Short-circuit current rating | 5 kA |
| Connection | 2 x 3 m 180 mm flexible plastic duct |
| Ingress Protection | IP 56 |
| Approvals | CE |

7. Performance graph



8. Mounting



The power supply rating on unit rating plate must comply with mains rating.



Always disconnect the power supply before opening the unit.

The heat load to be dissipated from enclosure should not exceed specific cooling output of the unit at any condition. At cooling unit selection always cater for a safety margin of at least 15% extra cooling output in the worst conditions.

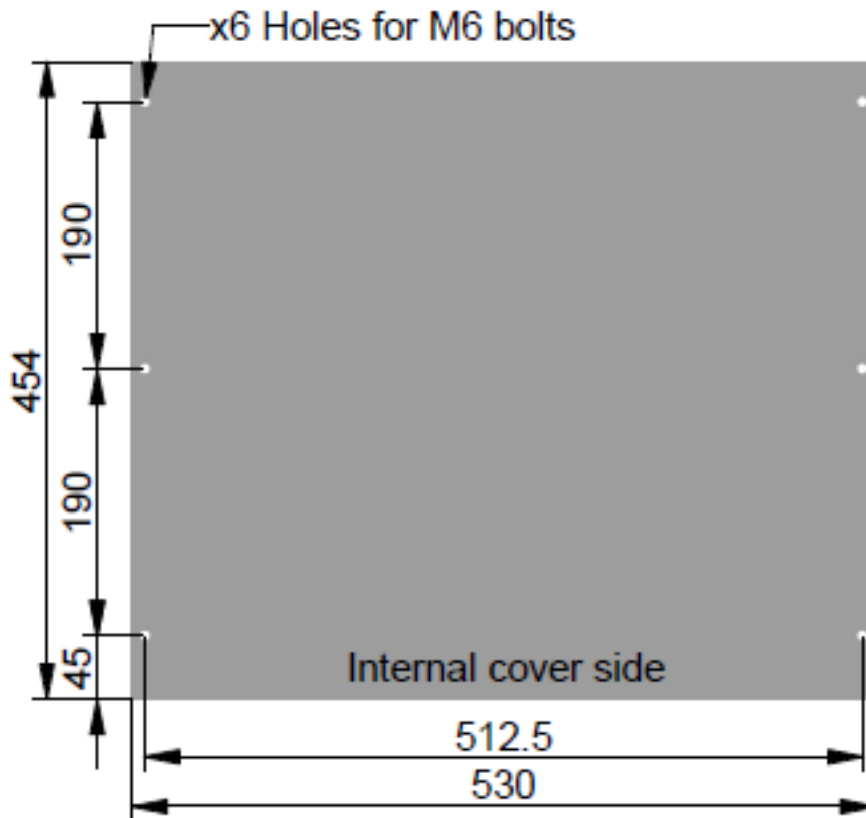
Ensure that flows of air leaving and entering the cooling unit, internal and external, are not obstructed. It must also be ensured in accordance with UL, that the air outlet is not blowing air directly at an equipment operator. Should this be the case a barrier or duct shall be provided to redirect the airflow.

Cooling unit enclosure air suction hole must be installed in the highest possible point. When installing the unit on a door ensure it can take the weight.

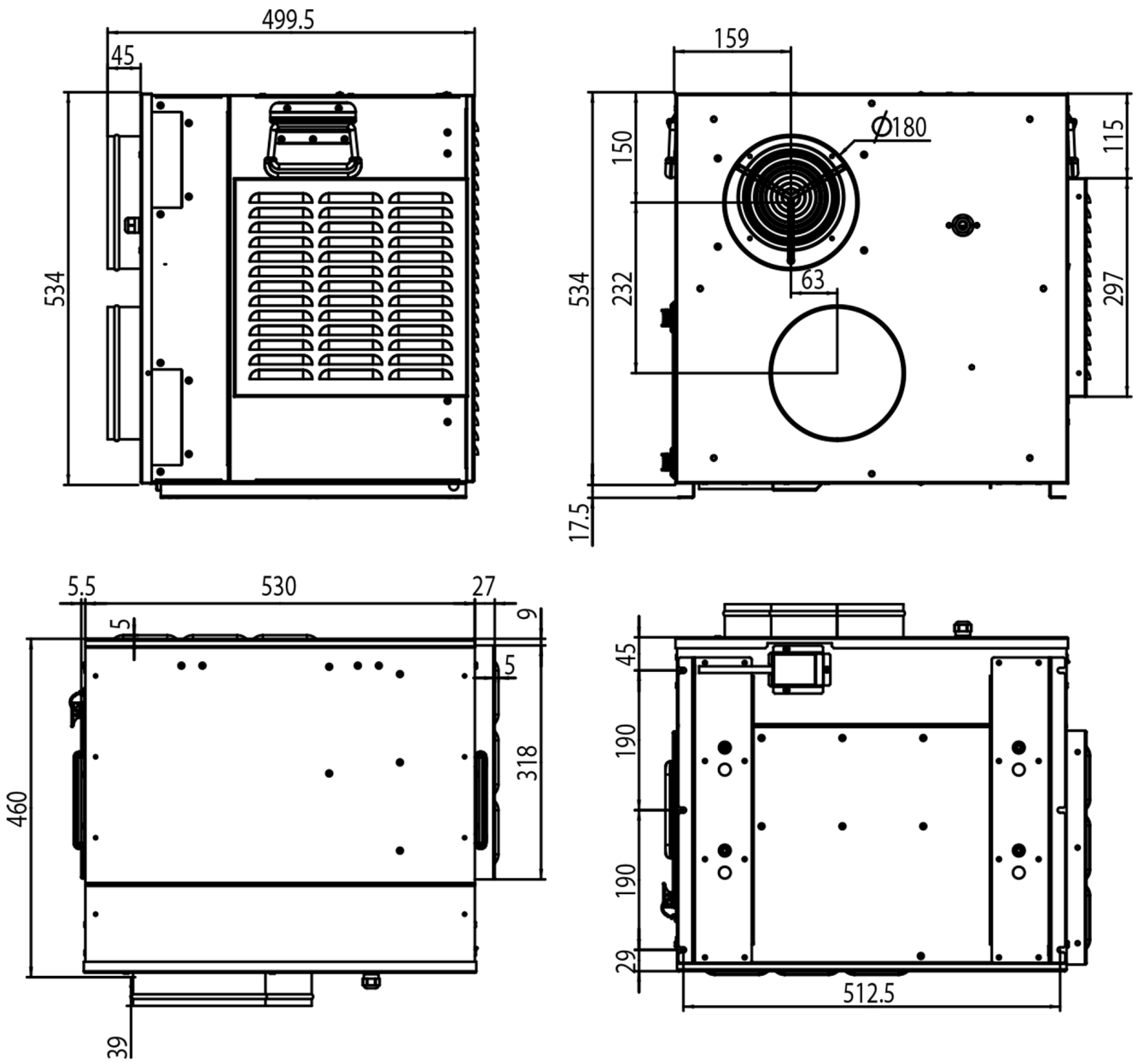
Before drilling the enclosure ensure the fixing elements and couplings will not interfere with the equipment inside the enclosure itself. Disconnect power before starting any work inside the enclosure. Following this 1:1 Scale Drilling Template drill the holes and make the required cuts on the enclosure. This template may have been affected by storage conditions, please check this template by verifying values of the largest dimensions before drilling. Fit the sealing strip on the cooling unit on the side connected to the enclosure and follow the installation diagram.

This AC unit can only be mounted to a suitably Type rated enclosure to maintain its Type rating. The Type and IP rating of the enclosure should be the same or higher than that of the unit.

9. Cut Out Dimension



10. Dimension (H x W x D)



11. Electrical Connection



High electric voltage present. Installation, maintenance, cleaning and any other work must be carried out by qualified personnel only. The personnel must ensure that for the duration of this work the unit and the cabinet are disconnected from the electrical supply and protected against unauthorised/accidental reconnection.

The unit should only be connected by qualified electricians. The personnel must ensure that the unit is disconnected from the electrical supply for the duration of connection work and is protected against unauthorised reconnection.

Connection to the main electrical supply is done via a supply cable provided with the unit. See the circuit diagram for connection details. The unit has an internal MCB (16C type) accessible by removing the front cover. When the unit is firstly connected to the mains supply the compressor has a start-up delay of ca. 3 min (referred to as minimum standing time). The unit operates depending on the cabinet internal temperature. When the cabinet control temperature is above the control temperature set-point, the compressor is switched on until the temperature inside the cabinet is lowered enough. The min. compressor running-time is ca. 3 min. (for oil lubrication in the system). To obtain pressure equalization in the system the compressor has a min. shut-down time of ca. 7 min.

The internal air fan runs continuously, independent of the compressor and internal heater, to provide constant air circulation and maintain an even temperature in the cabinet. The ambient air fan (condenser) switches on with the compressor in order to save energy but switches off 3 minutes after the compressor has switched off. This allows the air conditioner to dissipate the heat in the condenser and equalise the circuit pressures before restarting.

Pressing the test button on the PCB board operates the compressor, ambient and internal fans for 2 minutes. This test function is independent of the cabinet temperature and is to be used to ensure all the components are working. **Contact the manufacturer in case of failure or difficulty.**

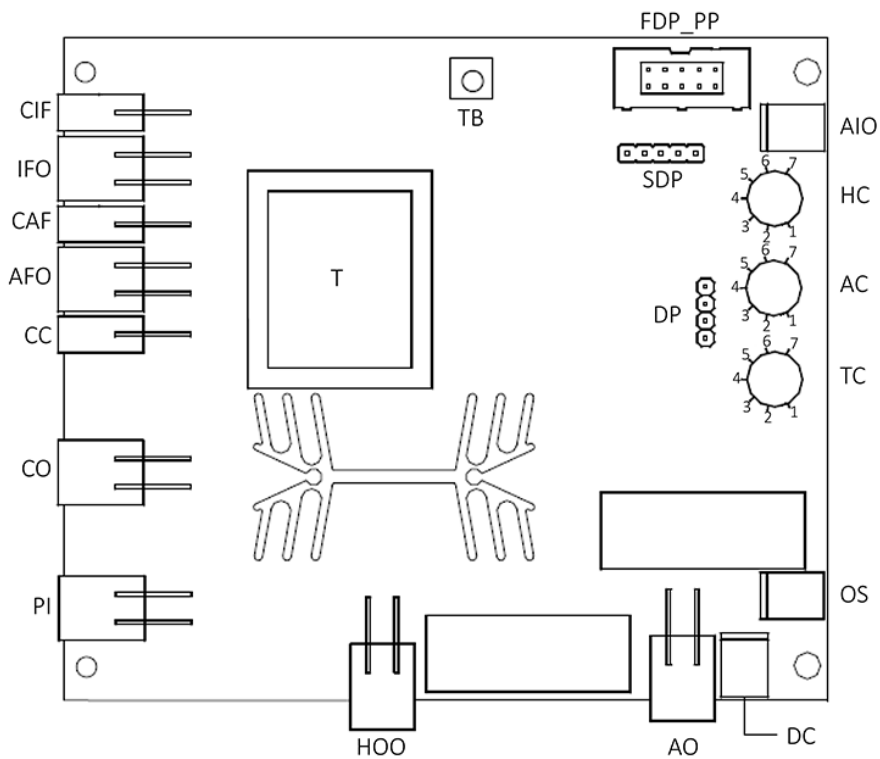
The unit also has a NC alarm contact on the supply cable (Grey & Brown wires, ratings: 0.3 A / 60V DC, 1 A / 30V DC, 0.5 A / 125V AC).

SCCR

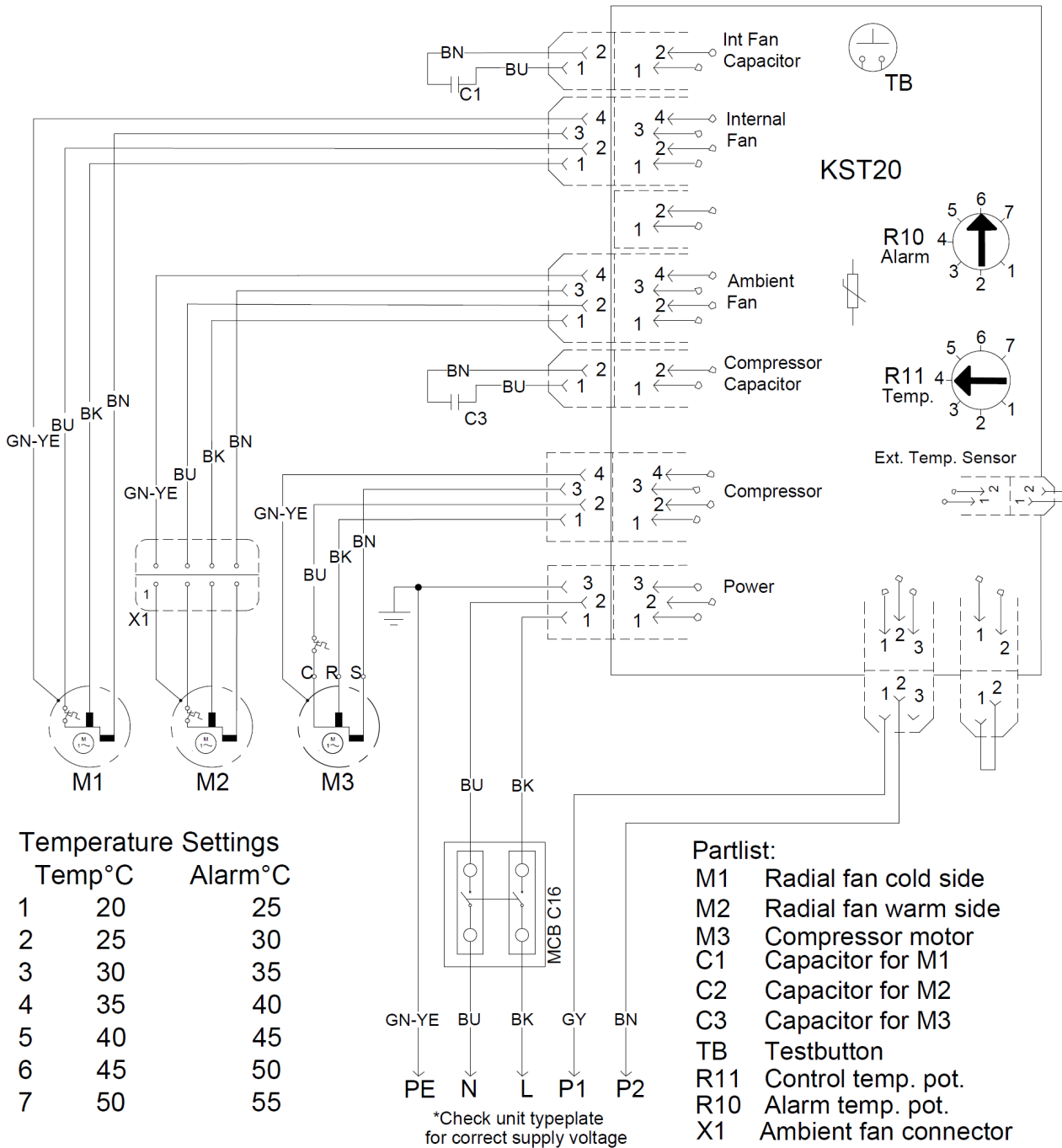
Refer to *UL508A Supplement SB* and *Seifert Systems' document [Short Circuit Current Rating \(SCCR\)](#) on methods how to modify the available short circuit current within a circuit in the panel.*

12. Controller Layout Description

| | |
|--------|--|
| FDP_PP | Full display port and programming port |
| AIO | Aux. Input optional |
| HC | Heater control |
| AC | Alarm control |
| TC | Temperature control |
| OS | Optional Sensor |
| DC | Door contact |
| AO | Alarm output |
| HOO | Heater output optional |
| PI | Power in |
| CO | Compressor out |
| CC | Capacitor compressor |
| AFO | Umgebungslüfter aus |
| CAF | Kondensator Umgebungslüfter |
| IFO | Ambient fan out |
| CIF | Capacitor ambient fan |
| TB | Test button |
| SDP | Simple display port |
| DP | Diagnose port |
| T | Transformer |



13. Wiring Diagram



PR596030173 / c

14. Taking into Operation

Attention! The unit can be damaged by lack of lubricant. To ensure that the compressor is adequately lubricated the oil, which has been displaced during transport, must be allowed to flow back into it. The unit must therefore be allowed to stand for at least 30 min. before being connected to the mains and taken into operation. The unit / system must be protected with a MCB Type D or K.

Upon connection the internal fan will start working. If the temperature inside the enclosure is higher than the set value of the controller both the compressor and external air fan start working. Once the air inside the enclosure reaches the set temperature the compressor and external fan will stop.

The hysteresis is 3K, the minimum ON-time is 4 minutes, the minimum OFF-time is 3 minutes, for units with a cooling capacity of more than 1 kW is it usually 7 minutes.

The unit is pre-set at 35°C, which is suitable for most of the electronic devices.

15. Trouble Shooting

| Failure | Condition | Cause | Solution |
|---|---|---|---|
| Unit doesn't cool | Internal fan does not work | Power not connected. | Verify power supply |
| | Internal fan works, external fan and compressor don't work | Enclosure temperature is below setting temperature (St) | Verify values of parameter "St" |
| | | Door switch contact is open | Verify door switch |
| | | Controller doesn't work | Replace controller |
| Internal fan works, external fan and compressor don't work. Display shows alternating OFF and temperature | The sequence of the phases inside the power supply connector is incorrect | Change phases inside power supply connector | |
| Unit doesn't cool | External and internal fan work, compressor does not work | Compressor motor electrical failure | Have compressor replaced by qualified service technician |
| | | Capacitor for compressor failed | Replace capacitor |
| | Compressor works, external fan doesn't work | External fan needs to be replaced | Replace external fan |
| Enclosure temperature too hot | Compressor and fans (external and internal) work all the time | Cooling unit undersized | Enclosure needs a cooling unit with higher capacity |
| | Compressor and external fan work in alternating mode (ON / OFF) | Thermal compressor protector triggered | Verify if ambient temperature is too high, clean condenser |
| | | Refrigerant leakage | Contact dealer/service center |
| Excessive condensate | Enclosure door open | Ambient air gets into the enclosure | Ensure door is closed, add a door switch and connect it to controller |
| | Enclosure door closed | Enclosure IP protection class is below IP54 | Seal all openings of the enclosure |
| | | Damaged or misplaced sealing strip | Repair sealing strip accordingly |

16. Maintenance & Cleaning



Always switch power supply off before starting any maintenance on the unit.

The cooling unit is generally maintenance free and can be operated without filters in most environments. For units with filters these should be checked, cleaned and if necessary replaced on a regular basis. In addition the unit should have regular functional tests (approx. every 2,000 hours depending on the grade of ambient pollution).

Disposal.

The cooling unit contains R134a refrigerant and small quantities of lubricating oil. Replacement, repairs and final disposal must be done according to the regulations of each country for these substances.

17. Transport & Storage

Malfunction due to transport damage

On delivery the carton box containing the unit must be examined for signs of transport damage. Any transport damage to the carton box could indicate that the unit itself has been damaged in transit which in the worst case could mean that the unit will not function.

The unit can only be stored in locations which meet the following conditions:




- temperature range: - 40°C to 70°C
- Relative humidity (at 25°C): max. 95 %

Returning the unit

To avoid transport damage the unit should be returned in the original packing or in a packing case and must be strapped to a pallet. If the unit cannot be returned in the original packing please ensure that:

- A space of at least 30 mm. must be maintained at all points between the unit and the external packing.
- The unit must be shipped in the same position as it was mounted.
- The unit must be protected by shock resistant padding (hard foam corner pieces, strips or cardboard corner pieces)

18. Parts supplied / Spare parts / Accessories

| Description | QTY | Image |
|-----------------------------|-----|---|
| Instruction manual | 1 | |
| CE Declaration | 1 | |
| M6 * 16 bolt | 14 |  |
| M6 nuts | 14 |  |
| A6.4 washer | 14 |  |
| Flexible ducts Ø180 mm x 3m | 2 | |
| Flexible duct clamps | 2 | |

| | | | | | | |
|--|---|---|---|---|--|--|
| Seifert Systems GmbH Albert-Einstein-Str. 3 42477 Radevormwald Germany Tel.+49 2195 68994-0 info.de@seifertsystems.com | Seifert Systems Ltd. HF09/10 Hal-Far Industrial Estate Birzebbuga, BBG 3000 Malta Tel.+356 2220 7000 info@seifertsystems.com | Seifert Systems AG Wilerstrasse 16 4563 Gerlafingen Switzerland Tel.+41 32 675 35 51 info.ch@seifertsystems.com | Seifert Systems GmbH Bärnthäl 1 4901 Ottnang Austria Tel.+43 7676 20712 0 info.at@seifertsystem.com | Seifert Systems Ltd. Rep. Office 26100 Cremona Italy Tel.+39 349 259 4524 info@seifertsystems.com | Seifert Systems Inc. 75 Circuit Drive North Kingstown RI 02852 USA Tel.+1 401-294-6960 info.us@seifertsystems.com | Seifert Systems Pty Ltd. 105 Lewis Road Wantirna South 3152 Victoria Australia Tel.+61 3 98 01 19 06 info@seifertsystems.com.au |
|--|---|---|---|---|--|--|